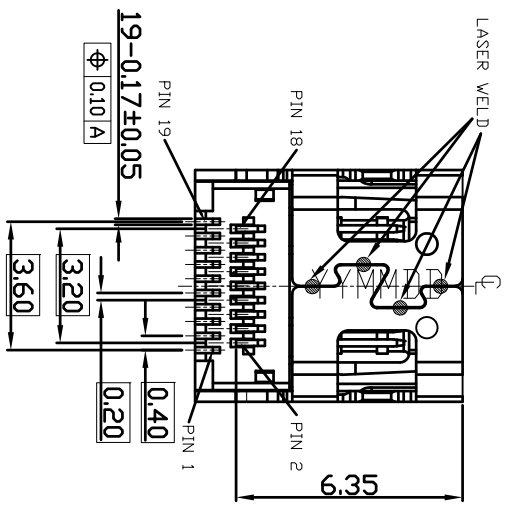


RECOMMENDED PCB LAYOUT THICKNESS=0.8mm
 <TOLERANCE: ±0.05>

<TOP VIEW>



- SPECIFICATIONS:
- ELECTRICAL CHARACTERISTICS:
 - CURRENT RATING: 0.3 AMP
 - VOLTAGE RATING: 40V
 - CONTACT RESISTANCE: INITIAL CONTACT RESISTANCE EXCLUDING CONDUCTOR RESISTANCE: 10 MILLIOHMS MAX.
 - DIELECTRIC STRENGTH: UNMATED CONNECTORS APPLY 250V AC MATED CONNECTOR APPLY 150V AC
 - INSULATION RESISTANCE: 100 MEGAOHMS MIN.(UNMATED) 10 MEGAOHMS MIN.(MATED)
 - MECHANICAL CHARACTERISTICS:
 - INSERTION FORCE: 4.5kgf MAX.
 - WITHDRAWAL FORCE: 0.5~2.5kgf.
 - LIFE TEST: 5,000 CYCLES
 - HALOGEN FREE PRODUCT IDENTIFICATION MARK ON JACK:
 - HALOGEN FREE PRODUCT IDENTIFICATION LABEL ON PACKAGING:
 - OTHER GENERAL SPEC. TO REFER 'HDMI SPEC'

NO	DESCRIPTION	QTY	MATERIAL	PLATING & COLOR
E	MYLAR	1		YELLOW
D	SHELL	1	STAINLESS STEEL	GOLD FLASH ON CONTACT AREA; ALL OVER 50μ NICKEL PLATING.
C	TERMINAL (TOPIN)	1	PHOSPHOR BRONZE 0.12t	GOLD FLASH ON CONTACT AREA; ALL OVER 50μ NICKEL PLATING.
B	TERMINAL (9PIN)	1	PHOSPHOR BRONZE 0.12t	GOLD FLASH ON CONTACT AREA; ALL OVER 50μ NICKEL PLATING.
A	BODY	1	HIGH TEMP. THERMOPLASTIC UL 94V-0	BLACK

UNLESS OTHERWISE SPECIFIED TOLERANCES

DECIMALS: ANGLES: TITLE

X : ±0.5 X : ±2. HDMI TYPE D FEMALE, SMT, W/O FLANGE

XX : ±0.3 XX : ±1. DWN Jie-Xiao Part No. ZHE3001-005111F

XXX : ±0.2 APVD Boye SCALE: 4:1 UNIT: mm

SIZE: A3 SHEET: 1 OF 1 REV: A

CUSTOMER COPY

REV.	ECN NO OR DESCRIPTION	REVISED	DATE
A	PDR NO: T121220-3A	JIE-XIAO	2013.03.13