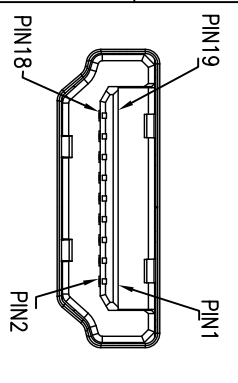
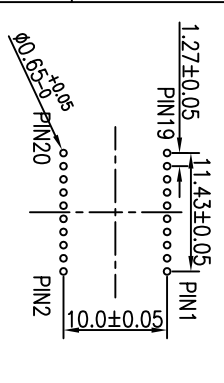
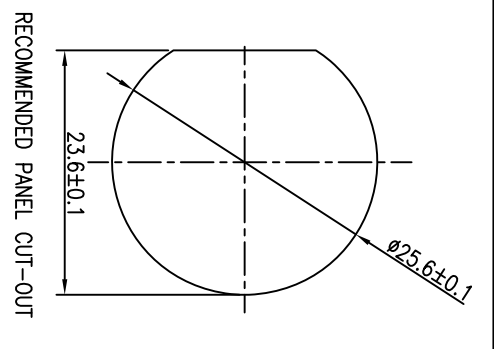
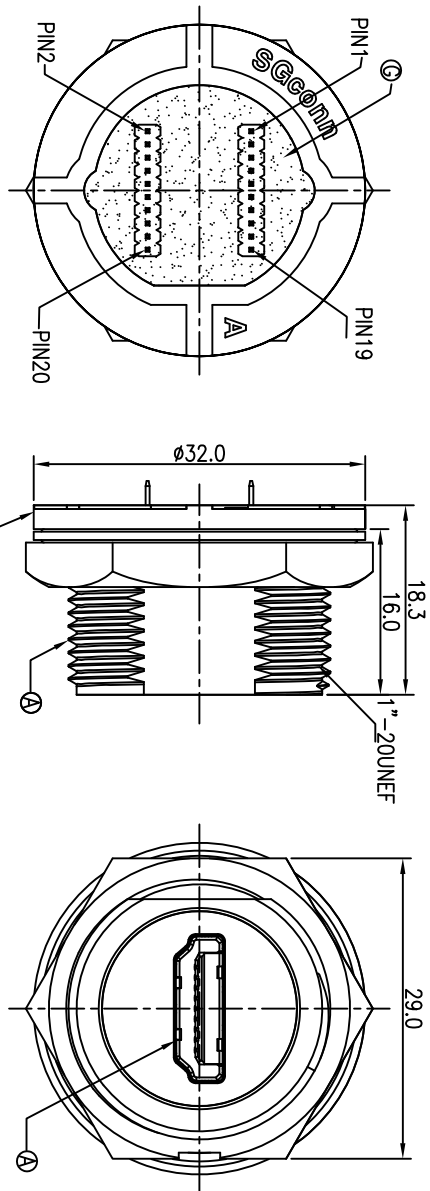
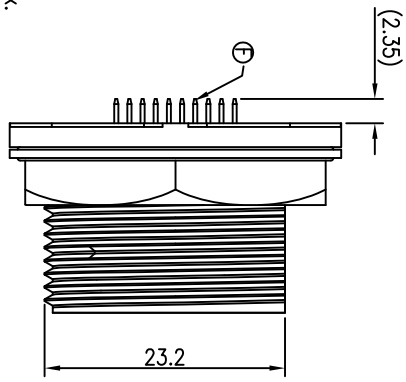


REV.	ECN NO. OR DESCRIPTION	REVISED	DATE
A	PDR NO.:T140423-1A	Horlen	2014.11.19



- NOTES:
- ELECTRICAL CHARACTERISTICS:
    - 1-1 CURRENT RATING: 0.5 AMPS.
    - 1-2 VOLTAGE RATING: 30V.
    - 1-3 CONTACT RESISTANCE: 3 Ohm Max.
    - 1-4 INSULATION RESISTANCE: 10 MOhm Min. at 150VDC. (MATED)
    - 1-5 BREAKDOWN VOLTAGE: 300 VAC PER MINUTE. (MATED)
  - ENVIRONMENTAL:
    - 2-1 OPERATING TEMPERATURE: -20°C TO +80°C.
    - 2-2 SEALING REQUIREMENTS: IP67.
    - 2-3 PANEL THICKNESS: 3.5mmMax.
  - FOR TECHNICAL DATA REFER TO YOUR LOCAL SINGATRON ELECTRONICS SALES OFFICE.
  - ALL DIMENSIONS ARE NOMINAL FOR REFERENCE ONLY UNLESS OTHERWISE STATED.
  - TO CONFORM TO SINGATRON HAZARDOUS SUBSTANCE FREE SPEC.
  - GREEN PRODUCT IDENTIFICATION LABEL ON PACKAGING:



G	LIQUID GLUE	1	N/A	BLACK	
F	PIN HEADER	2	PH1.271*10PIN	N/A	
E	PCB	1	FR-4	GREEN	
D	SCREW NUT	1	PA66	BLACK	
C	GASKET	1	EPDM	BLACK	
B	HOUSING	1	PA66	BLACK	
A	CONNECTOR	1	HDMI RECEPTACLE	GOLD FLASH	
NO	DESCRIPTION	QTY	MATERIAL	PLATING & COLOR	

REV.	ECN NO. OR DESCRIPTION	REVISED	DATE
A	PDR NO.:T140423-1A	Horlen	2014.11.19

DECIMALS:	ANGLES:	TITLE	WATERPROOF	HDMI RECEPTACLE PCB TYPE
X : ±0.5	X : ±2°	DWN	Horlen	PART NO. ZHB3003-W19100H
X.X : ±0.3	X.X : ±1°	CHKD	JF	SCALE 2:1 UNIT: mm
X.XX : ±0.2		APVD	Steve	SIZE: A3 SHEET: 1 OF 1 REV: A

UNLESS OTHERWISE SPECIFIED TOLERANCES

Singatron Enterprise Co., Ltd.  
信益企業股份有限公司

CUSTOMER COPY