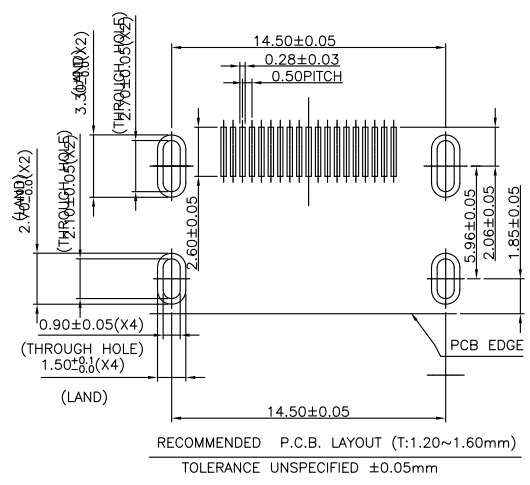
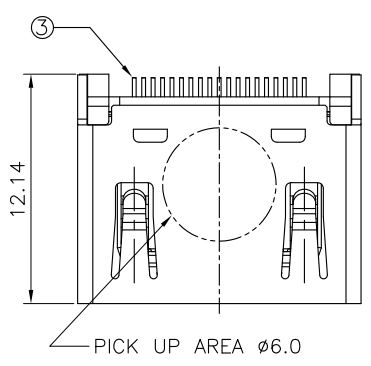


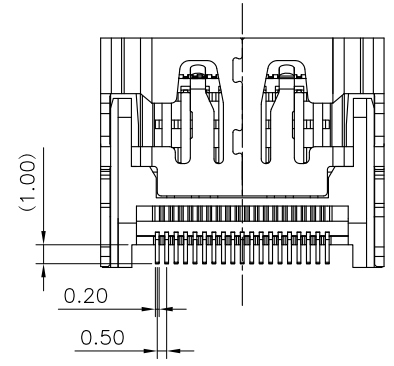
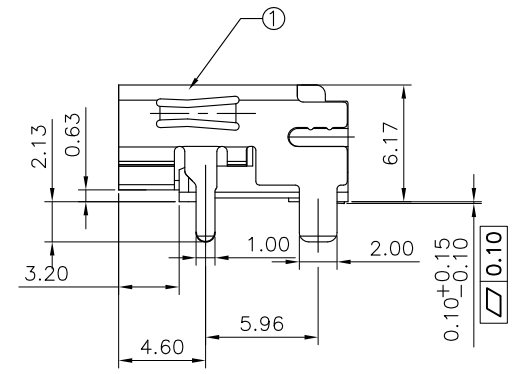
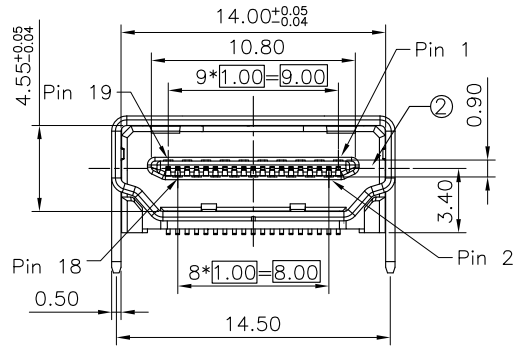
1 2 3 4 5 6 7 8

F  
E  
D  
C  
B  
A

F  
E  
D  
C  
B  
A



RECOMMENDED P.C.B. LAYOUT (T:1.20~1.60mm)  
TOLERANCE UNSPECIFIED ±0.05mm



ROHS COMPLIANCE

**SPECIFICATIONS**

1. OPERATING CURRENT: 0.5A MAX.
2. OPERATION TEMPERATURE: -25°C TO +85°C
3. DIELECTRIC WITHSTANDING VOLTAGE:  
500Volts AC BETWEEN ADIACENT TERMINAL (UNMATE )  
300Volts AC BETWEEN ADIACENT TERMINAL (MATE )
4. INSULATION RESISTANCE:  
100Mohm MIN. (UNMATED); 10Mohm MIN. (MATED)
5. HDMI SPECIFICATION COMPLIANCE

**ORDERING INFORMATION :**

2HE384 -3 OM 4 1 R \* \*\*\*  
(1) (2) (3) (4) (5) (6) (7) (8)

- (1) SERIES NUMBER :  
2HE384:HDMI A TYPE SERIES SMT TYPE SOCKET
- (2) COLOR CODES  
3:BLACK
- (3) CONTACT PLATINGS :  
OM:G/F ON MATTING AREA,  
80u" MAT TIN PLATED ON SOLDER AREA,  
NI 50u" MIN UNDER PLATING OVERALL
- (4) SHELL PLATINGS :  
4:SELECTIVELY GF PLATING
- (5) ENVIRONMENTAL PROTECTION NO.  
1:GREEN PRODUCT
- (6) PACKAGING  
R: TAPE REEL PACKING
- (7) SUFFIX NO.  
2:W/O FREEPORT LOGO,SHELL W/O RIB,WITH MYLAR  
3:W/O FREEPORT LOGO,SHELL W/O RIB,W/O MYLAR
- (8) SERIAL NUMBER  
164: SHELL MATERIAL IS BRASS  
165: SHELL MATERIAL IS SPCC

ITEM	NAME	Q'TY	NOTES
3	CONTACTS	19	COPPER ALLOY, GOLD PLATED OVER NICKEL ON CONTACT AREA AND 100u" MIN. TIN PLATED OVER NICKEL ON SOLDER TAILS
2	HOUSING	1	THERMOPLASTIC UL94V-0
1	SHELL	1	SPCC,NICKEL PLATED

**Singatron Enterprise Co., Ltd.**

REV	MODIFICATION	ECN No.	APP.	TOLERANCE	
				LENGTH	ANGLE
1	NEW RELEASE		Peter 2013/8/30	.X ±0.35 .XX ±0.25 .XX ±0.15 .XXX ±0.10	.X° ±2.0° .X° ±1.0° .XX° ±0.5°

TITLE	HDMI TYPE A RECEPTACLE CONNECTOR SMT TYPE			
DWN	PETER	PART NO.	2HE384-30M41R****	
CHKD	PETER	SCALE	1:1	UNIT: mm
APVD	2013/8/30	SIZE:	A3	SHEET: 1 OF 1 REV: 1

**CUSTOMER COPY**

1 2 3 4 5 6 7 8