

1

2

3

4

5

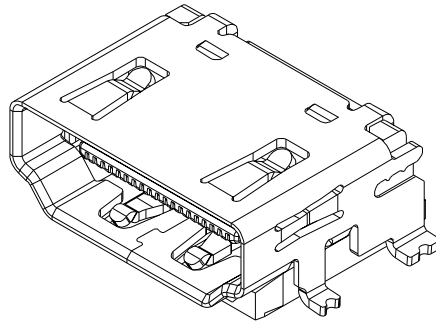
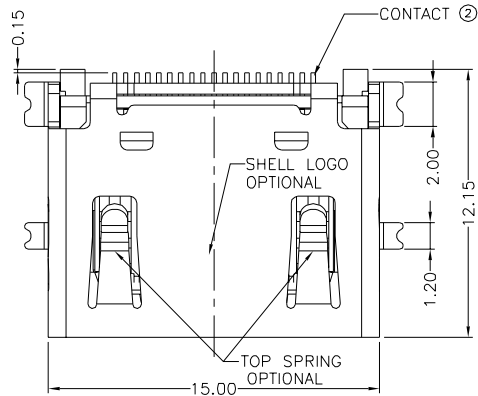
6

7

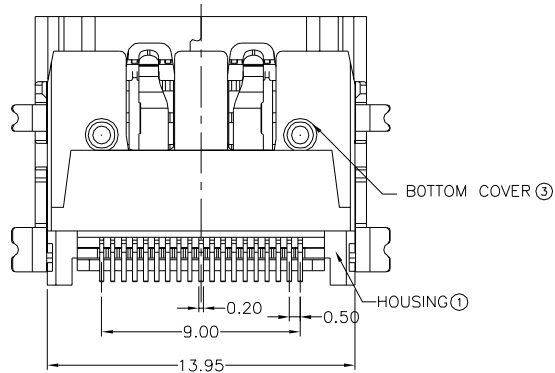
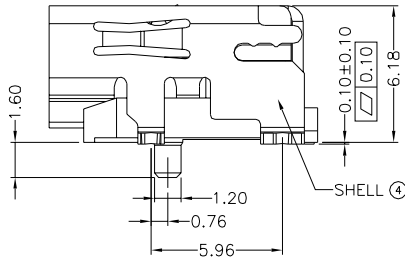
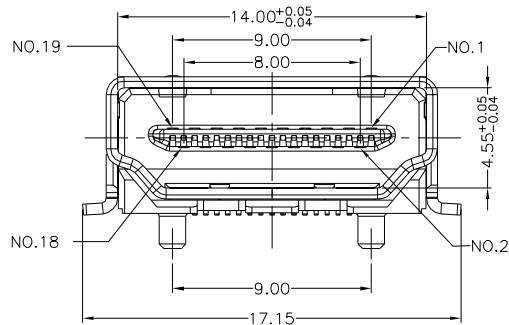
8

REV.	ZONE	LTR	DESCRIPTION	DATE	REVISER	APPD.
1.0	/	/	NEW DWG	2017.06.09	杨庭期	Bill

RoHS compliant



3D VIEW



ORDERING INFORMATION :

2HE395 - 3 0M N 1 R * ***
(1) (2) (3) (4) (5) (6) (7) (8)

- (1) SERIES NUMBER :
2HE395:HDIMI A TYPE SERIES SMT TYPE SOCKET
- (2) COLOR CODES
3:BLACK
- (3) CONTACT PLATINGS :
0M:G/F ON MATTING AREA,80u" MAT TIN PLATED
ON SOLDER AREA,NI 50u" MIN UNDER PLATING OVERALL
9M:PLATED AU 5u"ON MATTING AREA,80u" MAT TIN PLATED
ON SOLDER AREA,NI 50u" MIN UNDER PLATING OVERALL
2M:PLATED AU 15u"ON MATTING AREA,80u" MAT TIN PLATED
ON SOLDER AREA,NI 50u" MIN UNDER PLATING OVERALL
- (4) SHELL PLATINGS :
N:NICKEL PLATING
- (5) ENVIRONMENTAL PROTECTION NO.
1:GREEN PRODUCT
- (6) PACKAGING
R: TAPE REEL PACKING
- (7) SUFFIX NO.
6:W/O LOGO, AND WITH TOP SPRING SOLDER TAIL IS SMT TYPE
7:W/O LOGO, AND WITHOUT TOP SPRING SOLDER TAIL IS SMT TYPE
- (8) SERIAL NUMBER
176: SHELL MATERIAL IS BRASS
177: SHELL MATERIAL IS SPCC

4	SHELL	1PCS	BRASS OR SPCC	PLANTING NI	
3	BOTTOM COVER	1PCS	HIGH TEMPERATURE	BLACK	
2	TERMINAL	1SET	COPPER ALLOY	GOLD PLANTING	
1	HOUSING	1PCS	HIGH TEMPERATURE	BLACK	
ITEM	PART NAME	Q'TY	MATERIAL	FINISH	NOTE

Singatron Enterprise Co., Ltd.

TOLERANCE UNLESS SPECIFIED:

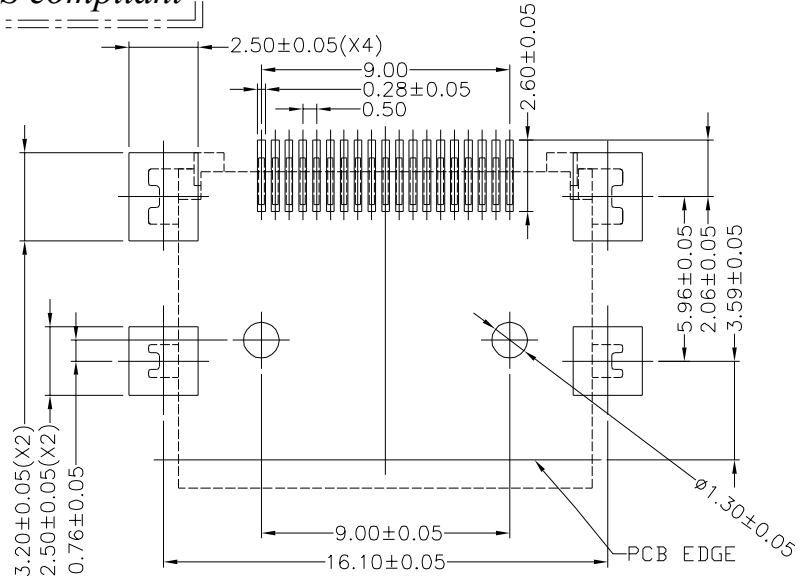
.0 0 0	± 0.10
.0 0	± 0.20
.0	± 0.30
.	± 0.50
ANGLE	± 2'

TITLE	HDMI A TYPE SMT CONN			
DWN	杨庭期	PART NO.	2HE395 - 30MN1R****	
CHKD	2017.06.09	SCALE 1:1	UNIT: mm	④
APVD	Bill	SIZE: A3	SHEET: 1/2	REV: 1.0

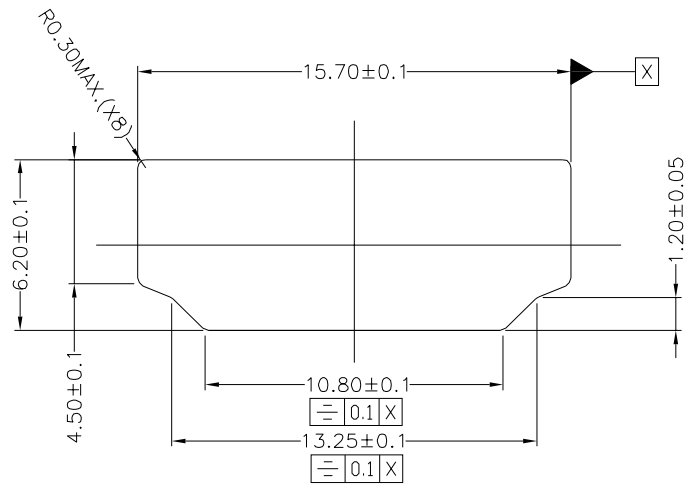
CUSTOMER COPY

REV.	ZONE	LTR	DESCRIPTION	DATE	REVISER	APPD.
1.0	/	/	NEW DWG	2017.06.09	杨庭期	Bill

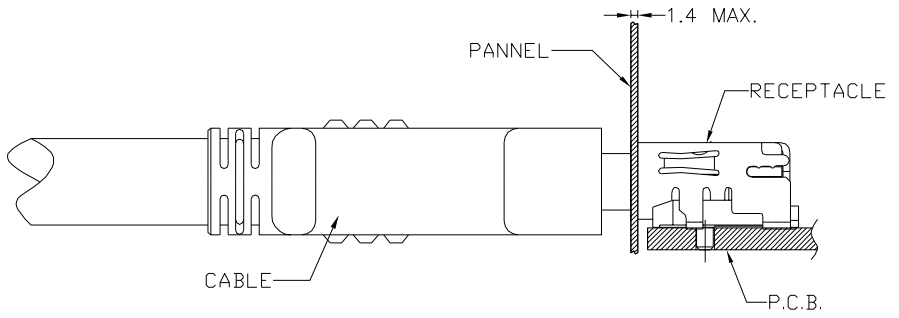
RoHS compliant



RECOMMENDED PCB LAYOUT (THICKNESS=1.6±0.15mm)



REFERENCE PANEL CUT OUT DIMENSION



REFERENCE MOUNT DIMENSION

- SPECIFICATIONS:**
- MECHANICAL:
 - WITHDRAWAL FORCE AFTER 2000 CYCLES: 39.2N MAX,9.8N Min.
 - WITHDRAWAL FORCE AFTER 2001-10000 CYCLES:4.9N Min,39.2N Ma
 - INSERTION FORCE:44.1N Max.
 - ELECTRICAL:
 - CONTACT CURRENT RATING: 0.5A MIN.
 - VOLTAGE RATING: 40V AC(RMS)
 - WITHSTANDING VOLTAGE:
 - 500 VOLTS AC BETWEEN ADIACENT TERMINAL(UNMATE)
 - 300 VOLTS AC BETWEEN ADIACENT TERMINAL(MATE)
 - INSULATION RESISTANCE:
 - 100 MOHM MIN.(UNMATED); 10 MOHM MIN.(MATED)
 - CONTACT RESISTANCE: 30 MILLIOHMS MAX.
 - ENVIRONMENTAL:
 - OPERATING TEMPERATURE: -25°C TO +85°C
 - STORAGE TEMPERATURE: -20°C TO 60°C

TOLERANCE UNLESS SPECIFIED:

.0 0 0	± 0.10
.0 0	± 0.20
.0	± 0.30
	± 0.50
ANGLE	± 2°

Singatron Enterprise Co., Ltd.					
TITLE	HDMI A TYPE SMT CONN				
DWN	杨庭期	PART NO.	2HE395-30MN1R****		
CHKD	2017.06.09	SCALE	1:1	UNIT:	mm
APVD	Bill	SIZE:	A3	SHEET:	2/2
		REV:	1.0		
CUSTOMER COPY					