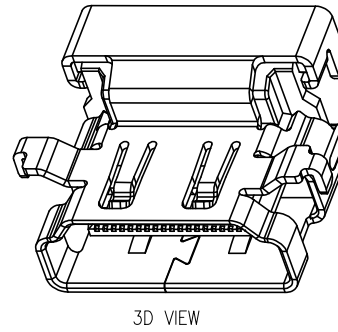
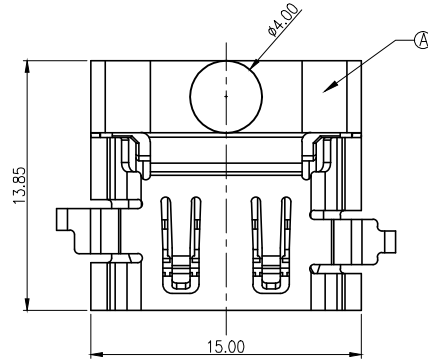
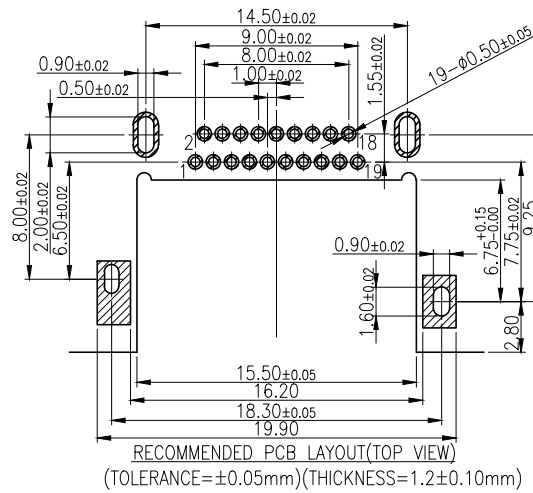
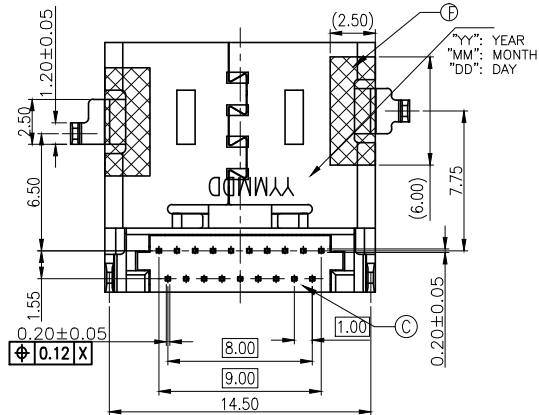
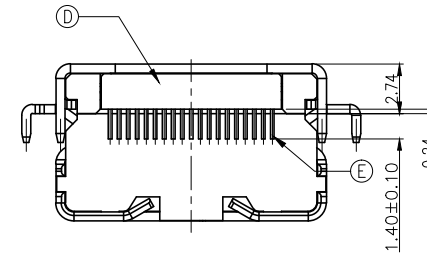
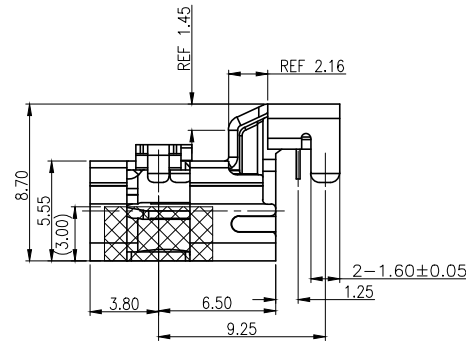
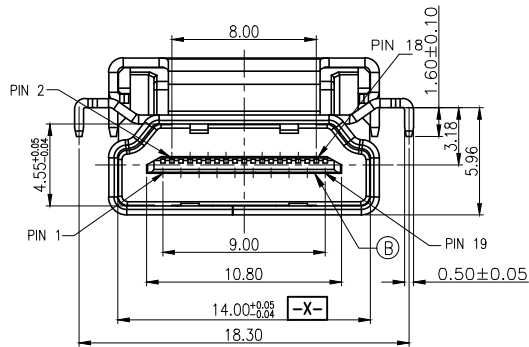


REV.	ECN NO OR DESCRIPTION	REVISED	DATE
A	PDR NO. T170517-1A	Jttlucky	2017.08.20



SPECIFICATIONS:

- ELECTRICAL CHARACTERISTICS:
 - CURRENT RATING: 0.5A
 - VOLTAGE RATING: 40V
 - CONTACT RESISTANCE: 10mohm MAX.(INITIAL)
 - DIELECTRIC WITHSTANDING VOLTAGE: 300V AC FOR ONE MINUTE
 - INSULATION RESISTANCE: 100Mohm MIN. MEASURED BY 500V DC
- MECHANICAL CHARACTERISTICS:
 - INSERTION FORCE : 4.5KGF MAX.
 - WITHDRAWAL FORCE : 1.0~4.0 KGF
- LIFE TEST: 10,000 CYCLES.
- OTHER GENERAL SPEC. TO REFER "2HE3Y10-001111F_SPEC".
- TO CONFORM TO SINGATRON HAZARDOUS SUBSTANCE FREE SPEC.
- HALOGEN FREE PRODUCT IDENTIFICATION LABEL ON PACKAGING:



F	MYLAR	2		YELLOW
E	TERMINAL	19	C2680R-H, T=0.20	GOLD 5u" ON CONTACT AREA MATTE TIN 80u" MIN ON SOLDER TAIL ALL OVER NICKEL 50u" MIN.
D	BOTTOM COVER	1	LCP E130I+30%GF	BLACK
C	TOP COVER	1	UL94V-0	
B	HOUSING	1		
A	SHELL	1	SUS304-1/4H,T=0.50	NICKEL 50~100u"
NO	DESCRIPTION	QTY	MATERIAL	PLATING & COLOR

UNLESS OTHERWISE SPECIFIED TOLERANCES		Singatron Enterprise Co., Ltd. 		
DECIMALS:	ANGLES:	TITLE	HDMI FEMALE REVERSE BY DIP TYPE, CH=3.18	
X :±0.5	X :±2°	DWN	Jttlucky	PART NO.2HE3Y10-001111F
X.X :±0.3	X.X :±1°	CHKD	James	SCALE:4:1 UNIT: mm
X.XX :±0.2		APVD	boye	SIZE: A3 SHEET:1 OF 1 REV: A
CUSTOMER COPY				