

REV.	ECN NO OR DESCRIPTION	REVISED	DATE
A	PDR NO.T151109-10A	jttlucky	2016.03.09

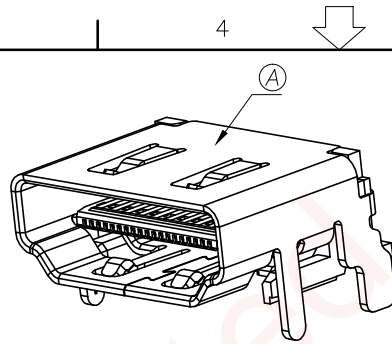
SPECIFICATIONS:

1. ELECTRICAL CHARACTERISTICS:

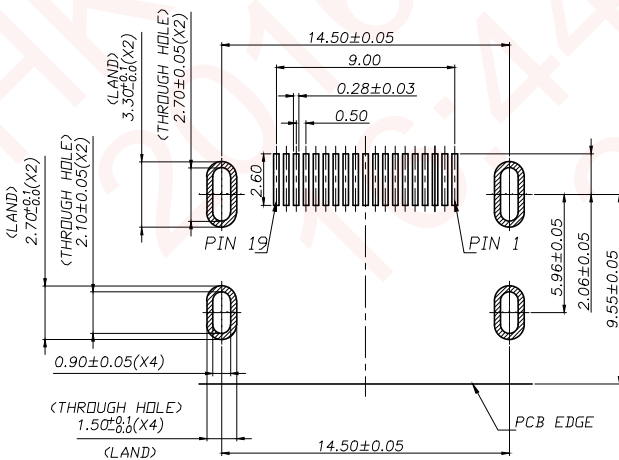
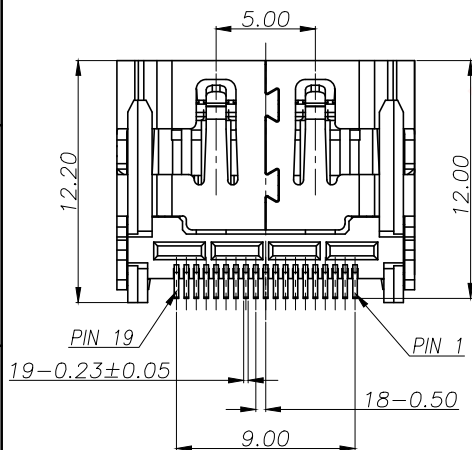
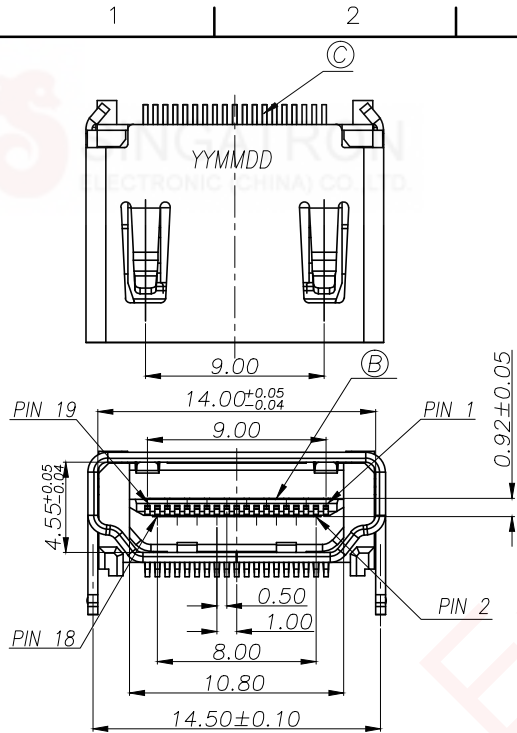
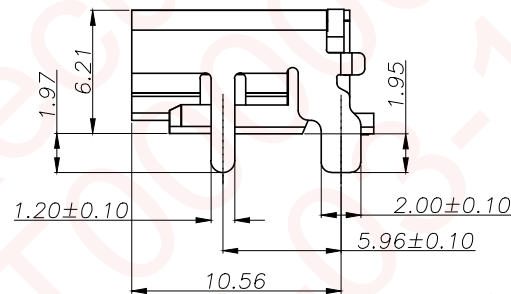
- 1-1. RATING: 0.5A
- 1-2. VOLTAGE RATING: 40V
- 1-3. CONTACT RESISTANCE: 10mohm MAX.(INITIAL)
(EXCLUDING CONDUCTOR RESISTANCE)
- 1-4. DIELECTRIC WITHSTANDING VOLTAGE: 300V AC FOR ONE MINUTE
(MATED CONNECTOR)
- 1-5. INSULATION RESISTANCE: 100Mohm MIN. MEASURED BY 500 VDC
(UNMATED CONNECTOR)

2. MECHANICAL CHARACTERISTICS:

- 2-1. INSERTION FORCE : 4.5KGF MAX.
- 2-2. WITHDRAWAL FORCE : 0.5~4.0 KGF
- 3. LIFE TEST: 5,000 CYCLES MIN.
- 4. OTHER GENERAL SPEC. TO REFER "2HE3Y13-000111F SPEC".
- 5. TO CONFORM TO SINGATRON HAZARDOUS SUBSTANCE FREE SPEC.
- 6. HALOGEN FREE PRODUCT IDENTIFICATION LABEL ON PACKAGING:
- 7. FOR REFLOW SOLDERING LEAD-FREE PROCESS.



3D VIEW



RECOMMENDED PCB LAYOUT(TOP VIEW)
(THICKNESS=1.4±0.10mm)
(TOLERANCE=±0.03mm)

C	TERMINAL	19	COPPER ALLOY, T=0.20	GOLD FLASH ON CONTACT AREA MATTE TIN 80u" MIN. ON SOLDER AREA ALL OVER NICKEL 50u" MIN. PLATED
B	HOUSING	1	HIGH TERP. THERMOPLASTIC HF, UL94-V0	BLACK
A	SHELL	1	COPPER ALLOY, T=0.50	NICKEL 50u" MIN.
NO	DESCRIPTION	QTY	MATERIAL	PLATING & COLOR
UNLESS OTHERWISE SPECIFIED TOLERANCES			Singatron Enterprise Co., Ltd. 信音企業股份有限公司	
DECIMALS:		TITLE		
X	:±0.5	HDMI A FEMALE SMT TYPE		
X.X	:±0.3	DWN	jttlucky	PART NO. 2HE3Y13-002111F
X.XX	:±0.2	CHKD	JAMES	SCALE: 4:1 UNIT: mm
		APVD	BOYE	SIZE: A3 SHEET:1 OF 1 REV: A
CUSTOMER COPY				