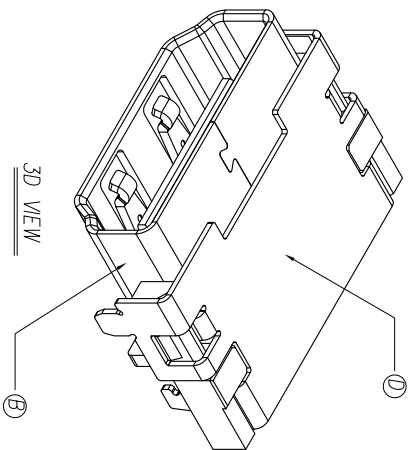
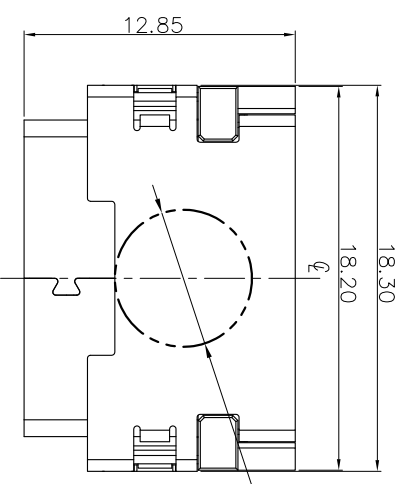
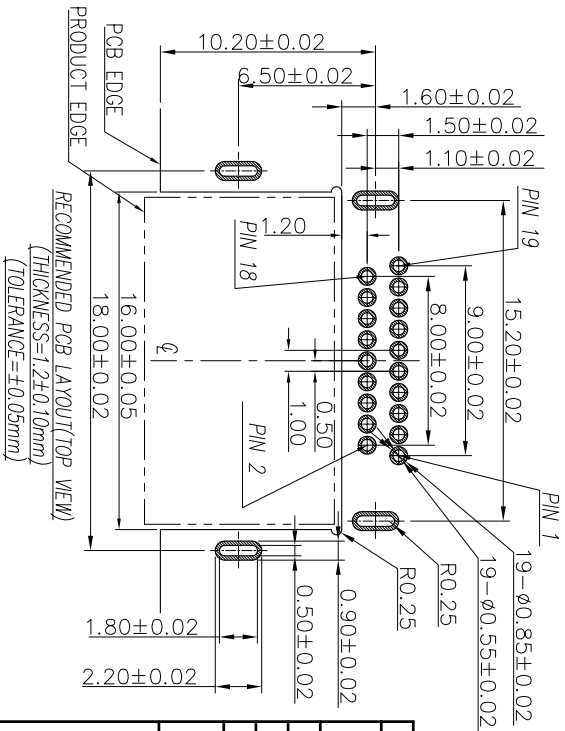
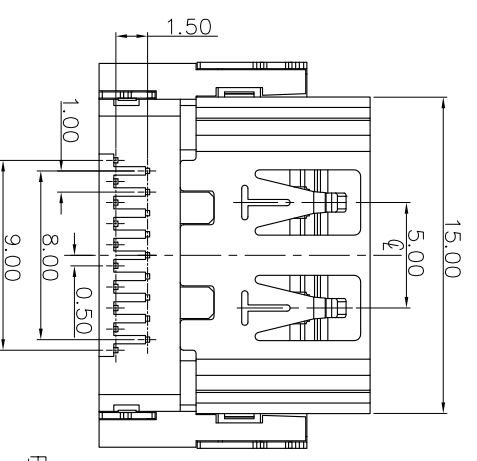
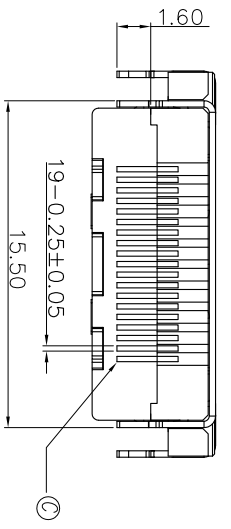
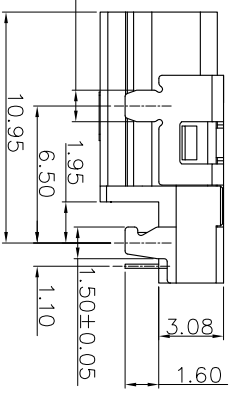
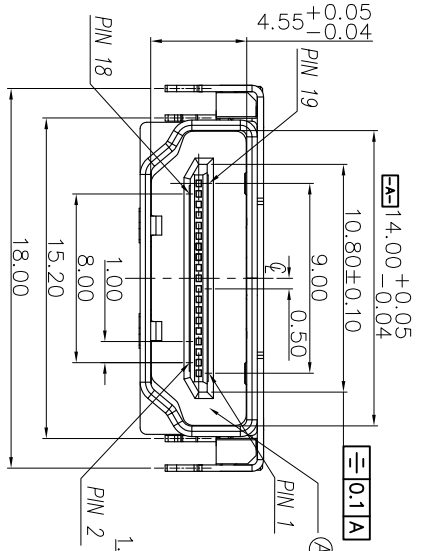


REV.	ECN NO OR DESCRIPTION	REVISED	DATE
A	PDR NO.T120621-10A	WINNIE	2013.08.06



- SPECIFICATIONS:**
- ELECTRICAL CHARACTERISTICS:**
 - 1-1. CURRENT RATING: 0.5 AMP.
 - 1-2. VOLTAGE RATING: 40V.
 - 1-3. CONTACT RESISTANCE: 30mΩ MAX.
 - 1-4. INSULATION RESISTANCE: 100MΩ MIN. AT 500V DC.
 - 1-5. DIELECTRIC WITHSTANDING VOLTAGE: 500V AC FOR 1 MINUTE.
 - MECHANICAL CHARACTERISTICS:**
 - 2-1. INSERTION FORCE: 4.5kgf MAX.
 - 2-2. WITHDRAWAL FORCE: 1.0~4.0kgf.
 - LIFE TEST:** 10,000 CYCLES.
 - OTHER GENERAL SPEC. TO REFER "HDMI A TYPE RECEPTACLE SERIES SPEC".**
 - TO CONFORM TO THE SINGATRON HAZARDOUS SUBSTANCE FREE SPEC.**
 - HALOGEN FREE PRODUCT IDENTIFICATION LABEL ON PACKAGING: ♻️**
 - FOR REFLOW SOLDERING LEAD-FREE PROCESS.**
 - PACKAGE: TAPE & REEL.**



D	SHELL COVER	1	STAINLESS STEEL T=0.30	NI 40um MIN PLATED
C	CONTACT	19	COPPER ALLOY, T=0.20	AU 5um ON CONTACT AREA, MATE TIN 100um ON SOLDER AREA ALL OVER NI 50um MIN PLATED
B	SHELL	1	STAINLESS STEEL T=0.50	NI 40um MIN PLATED
A	HOUSING	1	HIGH TEMP THERMOPLASTIC UL 94V-0	BLACK
NO	DESCRIPTION	QTY	MATERIAL	PLATING & COLOR

UNLESS OTHERWISE SPECIFIED TOLERANCES

Singatron Enterprise Co., Ltd.
信亨企業股份有限公司

TITLE: HDMI A TYPE FEMALE, SINKING

DWN: WINNIE PART NO. 2HE3Y21-000111F

CHKD: SOLDIER SCALE 4:1 UNIT: mm

APVD: BOYE SIZE: A3 SHEET: 1 OF 1 REV: A

CUSTOMER COPY