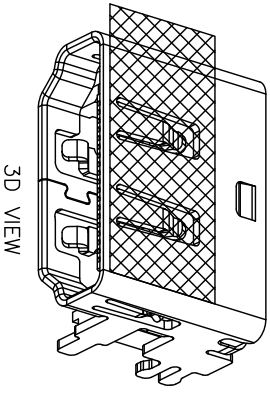
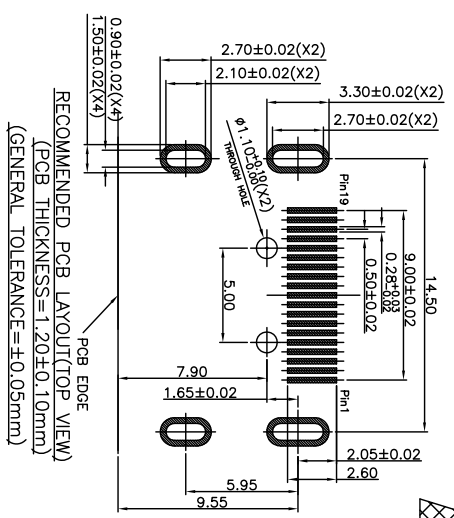
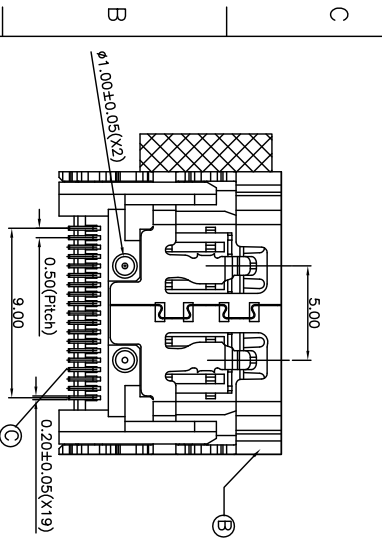
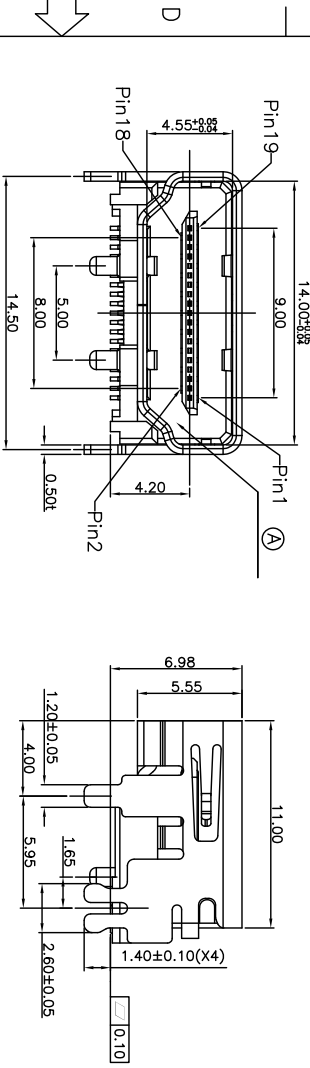
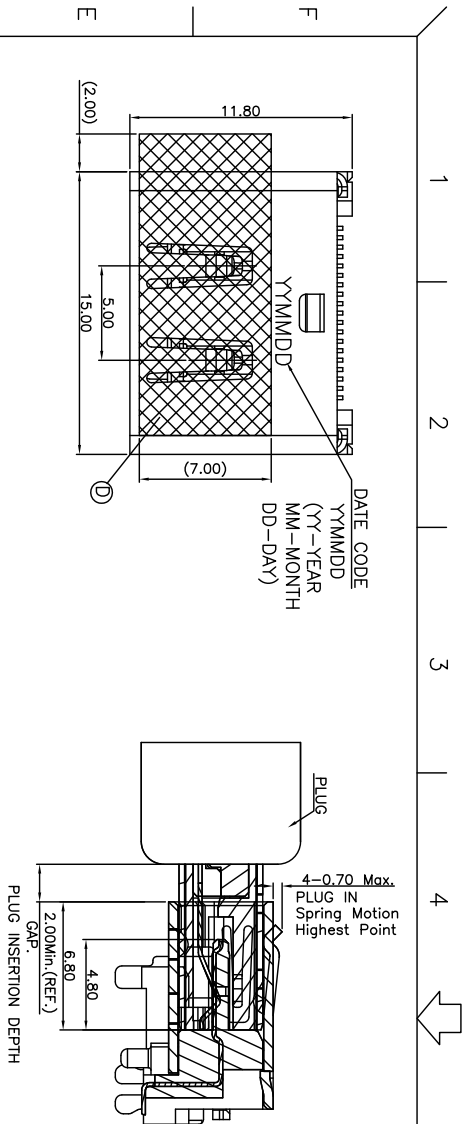


REV.	ECN NO OR DESCRIPTION	REVISED	DATE
A	PDR RELEASE	EVEN	2020.06.12



- SPECIFICATIONS: (HDMI A TYPE)**
- ELECTRICAL CHARACTERISTICS:
 - CURRENT RATING: 0.5 AMP.
 - VOLTAGE RATING: 40V.
 - INITIAL CONTACT RESISTANCE EXCLUDING CONDUCTOR RESISTANCE: 10mΩ MAX. (TARGET DESIGN VALUE). AFTER TEST: Δ30mΩ MAX.
 - INSULATION RESISTANCE: 100MΩ MIN. @ 500V DC.
 - DIELECTRIC WITHSTANDING VOLTAGE: 500V AC FOR 1 MINUTE.
 - MECHANICAL CHARACTERISTICS:
 - INSERTION FORCE: 4.5Kgf MAX.
 - WITHDRAWAL FORCE: 1.0~4.0Kgf.
 - LIFE TEST: 10,000 CYCLES.
 - OTHER GENERAL SPEC. TO REFER "HDMI SERIES SPEC."
 - TO CONFORM TO THE SINGATRON HAZARDOUS SUBSTANCE FREE SPEC.
 - HALOGEN FREE PRODUCT IDENTIFICATION LABEL ON PACKAGING.
 - PACKAGE: SEE "ZHE3Y36-001211F" PACKAGE.
 - FOR REFLOW SOLDERING LEAD-FREE PROCESS.

PART NO.
ZHE3Y36-001211F

- SUFFIX: HALOGEN FREE
- PACKAGE
- 1: TAPE AND REEL
- HOUSING COLOR
- 1: BLACK
- CONTACT PLATING
- 1: 30U" GOLD ON CONTACT AREA,
60U"~150U" WHITE TIN ON SOLDER AREA
- 50U" MIN. NICKEL UNDERPLATE OVER ALL.

NO	DESCRIPTION	MATERIAL	PLATING & COLOR
D	MYLAR	1	YELLOW
C	CONTACT	19 C2680	SEE PART NO.
B	SHELL	1 SUS304	50U" MIN. NICKEL
A	HOUSING	1 LCP UL 94V-0	BLACK

UNLESS OTHERWISE SPECIFIED TOLERANCES

DECIMALS: ANGLES:

X.XX :±0.5 X :±2
X.X :±0.3 X.X :±1*
X.XX :±0.2

Singatron Enterprise Co., Ltd.
信音企業股份有限公司

HDMI A TYPE FEMALE, SMT TYPE

PART NO. ZHE3Y36-001211F

DATE: 2020.06.12
SCALE: 3.7:1
UNIT: mm
SHEET: 1 OF 1
REV: A

CUSTOMER COPY