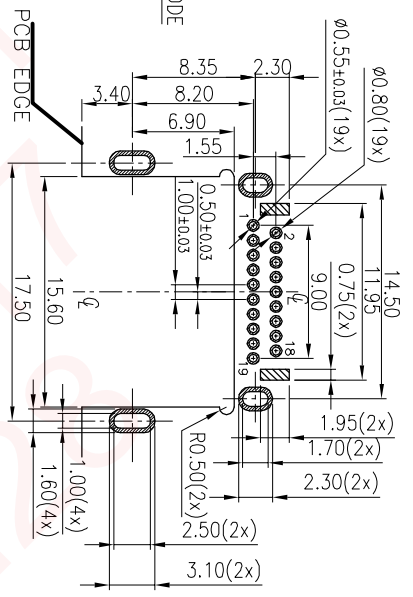
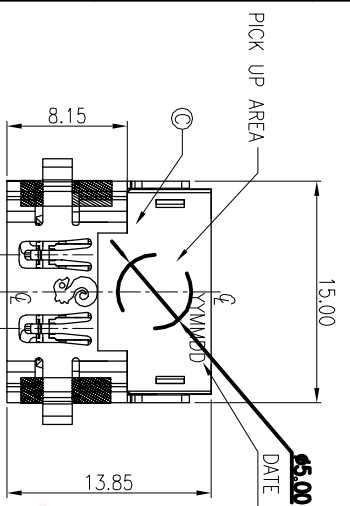
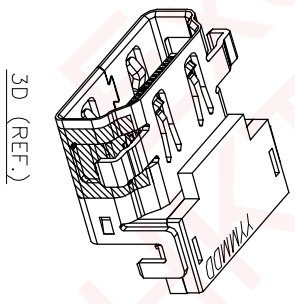
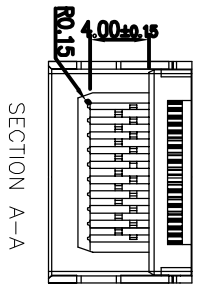
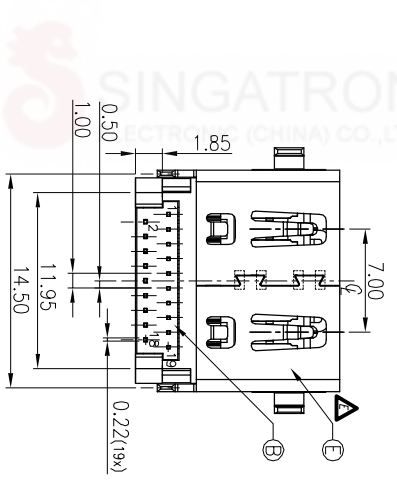
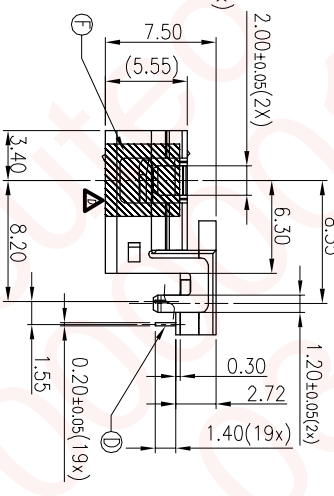
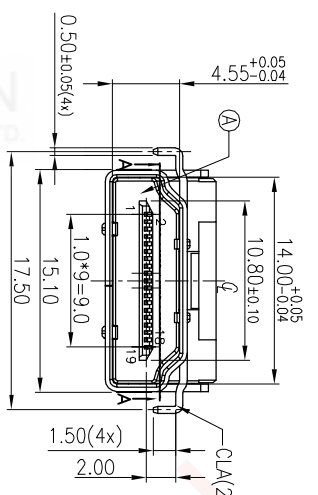




RoHS Compliant



RECOMMENDED PCB LAYOUT(T:1.2±0.05mm);
COMPONENT SIDE(TOL:±0.05)



REV.	ECN NO.	OR DESCRIPTION	REVISED	DATE
C	ECN NO:SI50907-C		YUREN	2015.10.15
D	ECN NO:SI60120-C		YUREN	2016.04.06
E	ECN NO:SI70145-P		YUREN	2017.3.1

NOTES:

- ELECTRICAL CHARACTERISTICS
 - CONTACT CURRENT RATING : 0.5A MAX.
RATED VOLTAGE : 40V AC
 - CONTACT RESISTANCE :
INITIAL : 50 MOHMS MAX.
AFTER TEST : CHANGE FROM INITIAL VALUE 50mOHMS MAX.
 - SHELL RESISTANCE:
INITIAL : 50mOHMS MAX.
AFTER TEST : CHANGE FROM INITIAL VALUE 50mOHMS MAX.
 - DIELECTRIC WITHSTANDING VOLTAGE : 500V AC RMS.
 - INSULATION RESISTANCE :
UNMATED PLUG : 100MOHMS MIN. AT 500V DC.
MATED PLUG : 10MOHMS MIN. AT 150V DC.
- MECHANICAL CHARACTERISTICS:
 - CONNECTOR MATING FORCE : 44.1N(4.5KgF) MAX.
 - CONNECTOR UNMATING FORCE : 9.8~39.2N(1.0~4.0KgF)
 - DURABILITY: 10000 CYCLES.
 - OPERATING TEMPERATURE RANGE: -20~85°C.
- OTHER GENERAL SPEC.
- TO REFER "HDMI A TYPE RECEPTACLE SERIERS_SPEC".
- TO CONFORM TO SINGATRON HAZARDOUS SUBSTANCE FREE SPEC.

2 PART NO. ZHE37-000111F
SUFFIX: HALOGEN FREE
PACKAGE: TAPE & REEL
HOUSING COLOR : BLACK
CONTACT PLATING: GOLD PLATED
SEQUENCE CODE

NO	DESCRIPTION	QTY	MATERIAL	PLATING & COLOR
F	MYLAR	2	MYLAR	YELLOW, L5*W4
E	SHELL	1	STEEL ALLOY, T0.50	SOLDERABLE NICKEL, 60u" PLATED ALL.
D	TERMINAL	19	COPPER ALLOY, T0.20	GOLD FLASH PLATED ON CONTACT AREA WHITE Tm 100u" MIN. PLATED ON SOLDER AREA NICKEL 40u" MIN. UNDERPLATED OVER ALL.
C	TOP COVER	1	HIGH TEMP.THERMOPLASTIC	UL94V-0, BLACK
B	BOTTOM COVER	1	HIGH TEMP.THERMOPLASTIC	UL94V-0, BLACK
A	HOUSING	1	HIGH TEMP.THERMOPLASTIC	UL94V-0, BLACK
NO	DESCRIPTION	QTY	MATERIAL	PLATING & COLOR

UNLESS OTHERWISE SPECIFIED TOLERANCES

Singatron Enterprise Co., Ltd.
信晋企业股份有限公司

DECIMALS: ANGLES:
X : ±0.5 X : ±.2
X.X : ±0.3 X.X : ±.1
X.XX : ±0.2

TITLE: HDMI TYPE A RECEPTACLE
DWN: YUREN PART NO. ZHE37-000111F
CHKD: CERRY SCALE: 3:1 UNIT: mm
APVD: LIAO SIZE: A3 SHEET: 1 OF 1 REV: E

CUSTOMER COPY