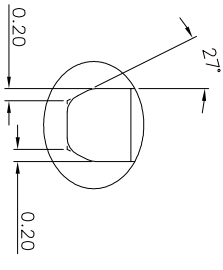
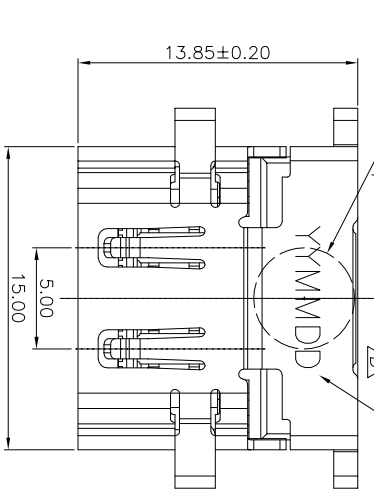
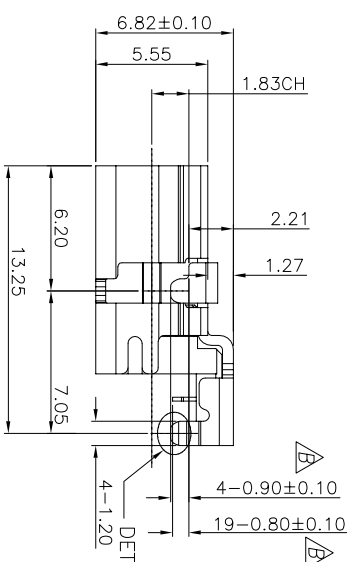
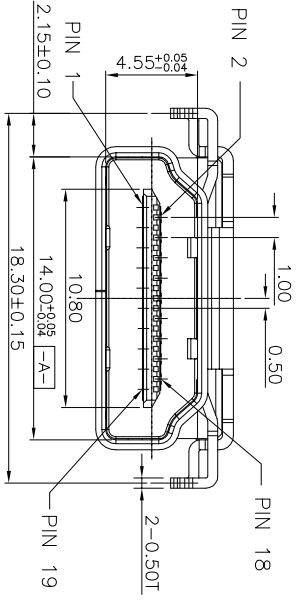


DATE CODE: YY MM DD  
(YY=YEAR MM=MONTH DD=DAY)

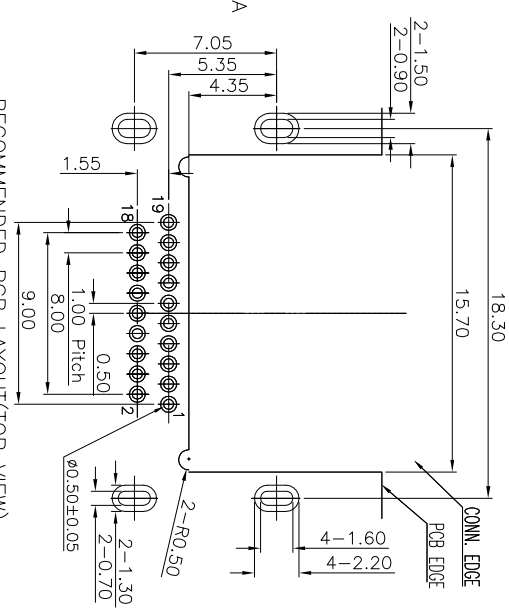


DETAIL A(SCALE 3:1)

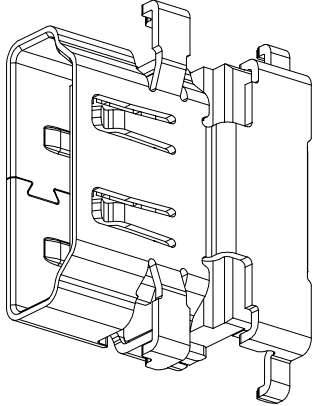
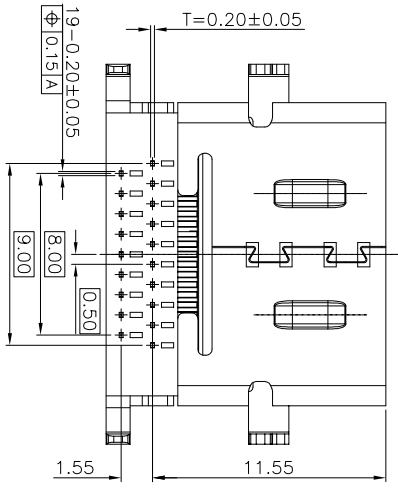


DETAIL A

- SPECIFICATIONS:
- ELECTRICAL CHARACTERISTICS:
    - CURRENT RATING: 1AMP
    - VOLTAGE RATING: 12V
    - CONTACT RESISTANCE: 30mΩ MAX(INITIAL)
    - INSULATION RESISTANCE: 100MΩ MIN@AT 500V DC
    - DIELECTRIC WITHSTANDING VOLTAGE: 500V AC FOR ONE MINUTE
  - MECHANICAL CHARACTERISTICS:
    - INSERTION FORCE: 3.0 KGF MAX
    - WITHDRAWAL FORCE: 1.0 KGF MIN
    - LIFE TEST: 10,000 CYCLES MIN.
  - OTHER GENERAL SPEC. TO REFER "HDMI A TYPE RECEPTACLE SERIES SPEC";
  - TO CONFORM TO SINGATRON HAZARDOUS SUBSTANCE FREE SPECIFICATION
  - HALOGEN FREE PRODUCT IDENTIFICATION LOGO ON PACKAGING:
  - FOR REFLOW SOLDERING LEAD-FREE PROCESS.
  - PACKAGING:TAPERREEL



RECOMMENDED PCB LAYOUT(TOP VIEW)  
(TOLERANCE=±0.03mm)  
(PCB THICKNESS=0.6±0.05mm)



REV.	ECN NO	OR DESCRIPTION	REVISED	DATE
A	PDR NO:5160517-1A		JHlucky	2016.11.24
B	ECN NO:1180043		EVEN	2018.12.28

NO	DESCRIPTION	QTY	MATERIAL	PLATING & COLOR
C	CONTACT	19	COPPER ALLOY,T=0.2	As SUPPLIING ON CONTACT AREA: ALL OVER Ni 50μM
B	SHELL	1	STAINLESS STEEL,T=0.5	BLACK NICKEL PLATED
A	HOUSING	1	HIGH TEMP. THERMOPLASTIC UL 94V-0	BLACK

UNLESS OTHERWISE SPECIFIED TOLERANCES

DECIMALS:	ANGLES:
X : ±0.5	X : ±2°
X.X : ±0.3	X.X : ±1°
X.XX : ±0.2	

Singatron Enterprise Co., Ltd.  
信音企業股份有限公司

TITLE	DWN	CHKD	APVD
HDMI A TYPE FEMALE SINKING,CH=-1.83mm	REN 2018.12.28		
PART NO.2HE3Y58-004111F	SCALE:4:1	UNIT: mm	
	SIZE: A3	SHEET:1 OF 1	REV:B

CUSTOMER COPY