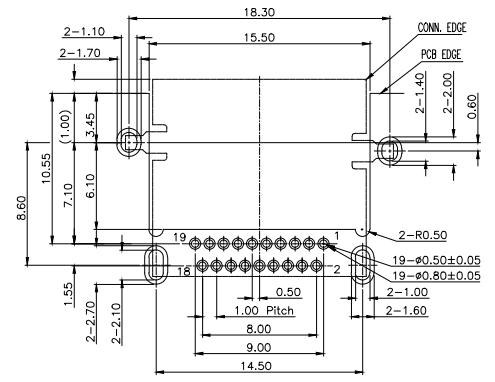
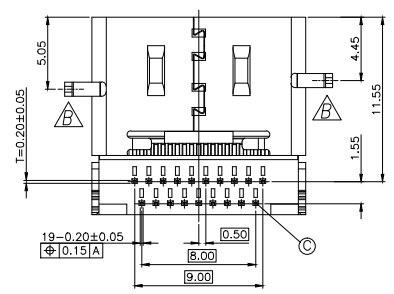
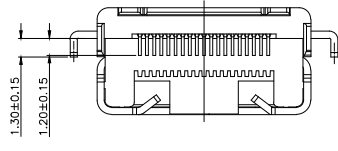
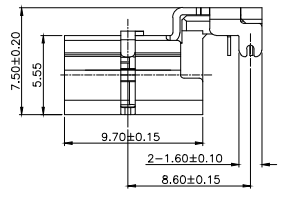
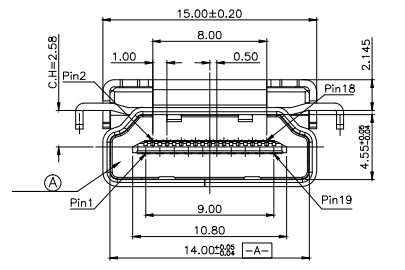
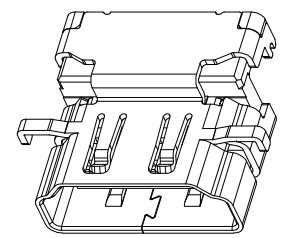
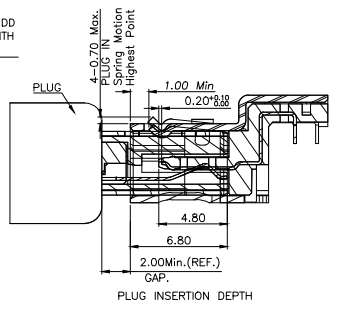
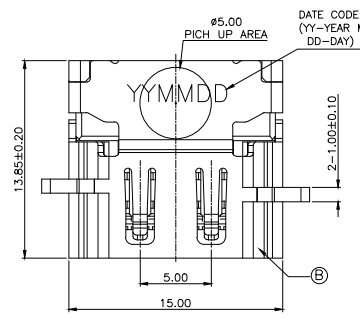



REV.	ECN NO OR DESCRIPTION	REVISED	DATE
A	PDR RELEASE	EVEN	2019.09.04
B	ECN NO: L201912-C05	IVY-C	2020.04.16
C	ECN NO: L202312-C03	EVEN	2023.12.28




RECOMMENDED PCB LAYOUT(TOP VIEW)  
(TOLERANCE=±0.03mm)  
(PCB THICKNESS=1.0±0.05mm)

- SPECIFICATIONS: (HDMI A TYPE)
- ELECTRICAL CHARACTERISTICS:
    - CURRENT RATING: 0.5 AMP.
    - VOLTAGE RATING: 40V.
    - INITIAL CONTACT RESISTANCE EXCLUDING CONDUCTOR RESISTANCE: 10mΩ MAX. (TARGET DESIGN VALUE). AFTER TEST: Δ30mΩ MAX.
    - INSULATION RESISTANCE: 100MΩ MIN. @ 500V DC.
    - DIELECTRIC WITHSTANDING VOLTAGE: 500V AC FOR 1 MINUTE.
  - MECHANICAL CHARACTERISTICS:
    - INSERTION FORCE: 4.5Kgf MAX.
    - WITHDRAWAL FORCE: 1.0~4.0Kgf.
  - LIFE TEST: 10,000 CYCLES.
  - OTHER GENERAL SPEC. TO REFER "HDMI SERIES SPEC".
  - TO CONFORM TO THE SINGATRON HAZARDOUS SUBSTANCE FREE SPEC.
  - HALOGEN FREE PRODUCT IDENTIFICATION LABEL ON PACKAGING: 
  - PACKAGE: SEE "2HE3Y58-005111F" PACKAGE.
  - FOR REFLOW SOLDERING LEAD-FREE PROCESS.

PART NO.  
**2HE3Y58-005111F**

- SUFFIX: HALOGEN FREE
- PACKAGE
- 1: TAPE AND REEL
- HOUSING COLOR
- 1: BLACK
- CONTACT PLATING
- 1: GOLD FLASH ON CONTACT AREA, 60u~150u" MATTE TIN ON SOLDER AREA
- 60u" MIN. NICKEL UNDERPLATE OVER ALL.

C	CONTACT	19	C2680	SEE PART NO.
B	SHELL	1	SUS304	50u" MIN. NICKEL
A	HOUSING	1	LCP UL 94V-0	BLACK
NO	DESCRIPTION	QTY	MATERIAL	PLATING & COLOR

UNLESS OTHERWISE SPECIFIED TOLERANCES		 信音科技(香港)有限公司		
DECIMALS:	ANGLES:	TITLE	HDMI A TYPE FEMALE, REVERSE, DIP TYPE C.H=-2.58mm	
X :±0.5	X :±2°	DWN	EVEN 2023.12.28	<b>PART NO. 2HE3Y58-005111F</b>
X.X :±0.3	X.X :±1°	CHKD		SCALE 3.7:1 UNIT: mm
X.XX :±0.2		APVD	VERESA 2023.12.28	SIZE: A3 SHEET: 1 OF 1 REV: C
<b>CUSTOMER COPY</b>				