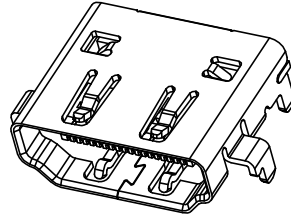
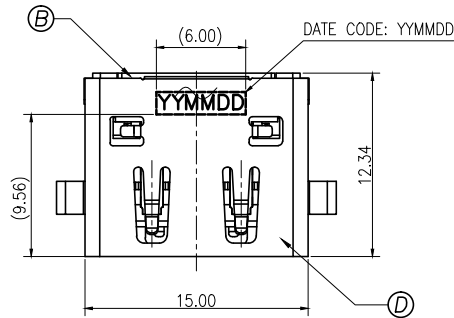
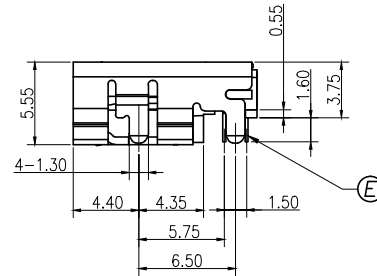
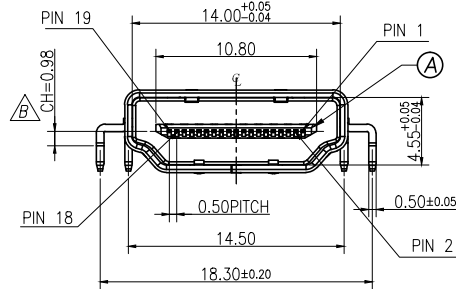


REV.	ECN NO OR DESCRIPTION	REVISED	DATE
A	PDR NO.S150303-5A	Charles	2016.01.13
B	ECN NO.S160461-C	YUREN	2016.07.21

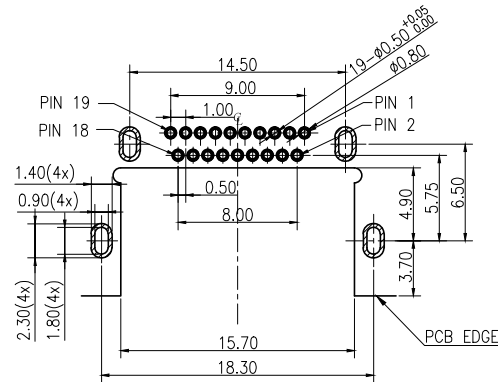
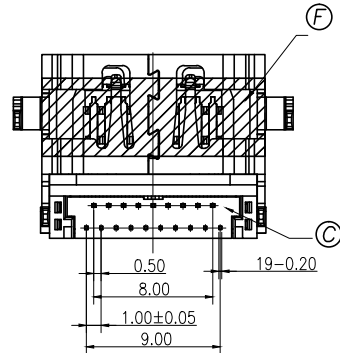


SPECIFICATIONS:

- ELECTRICAL CHARACTERISTICS:
 - CURRENT RATING: 0.5 AMP.
 - VOLTAGE RATING: 40V.
 - CONTACT RESISTANCE: 30mΩ MAX.
 - INSULATION RESISTANCE: 100MΩ MIN. @ 500V DC.
 - DIELECTRIC WITHSTANDING VOLTAGE: 500V AC FOR 1 MINUTE.
- MECHANICAL CHARACTERISTICS:
 - INSERTION FORCE: 4.5Kgf MAX.
 - WITHDRAWAL FORCE: 1.0~4.0Kgf.
- LIFE TEST: 10,000 CYCLES.
- TO CONFORM TO SINGATRON HAZARDOUS SUBSTANCE FREE SPECIFICATION
- HALOGEN FREE PRODUCT IDENTIFICATION LOGO ON PACKAGING:
- HALOGEN FREE PRODUCT IDENTIFICATION LABEL ON PACKAGING:
- FOR REFLOW SOLDERING LEAD-FREE PROCESS.
- PACKAGING:TAPE&REEL



PIN DEFINE:			
PIN	SIGNAL ASSIGNMENT	PIN	SIGNAL ASSIGNMENT
1	TMDS DATA2+	2	TMDS DATA2 SHIELD
3	TMDS DATA2-	4	TMDS DATA1+
5	TMDS DATA1 SHIELD	6	TMDS DATA1-
7	TMDS DATA0+	8	TMDS DATA0 SHIELD
9	TMDS DATA0-	10	TMDS CLOCK+
11	TMDS CLOCK SHIELD	12	TMDS CLOCK-
13	CEC	14	UTILITY
15	SCL	16	SDA
17	DCC/CEC GROUND	18	+5V POWER
19	HOT PLUG DETECT		



RECOMMENDED PCB LAYOUT(T:1.2±0.05mm.)
 COMPONENT SIDE(TOL:±0.05)

F	MYLAR	1	0.075T	YELLOW
E	CONTACT	19	C2680	GOLD 5U" PLATED ON CONTACT AREA MATTE TIN 100U"MIN.PLATED ON SOLDER AREA NICKEL 50U"MIN.UNDERPLATED OVER ALL
D	SHELL	1	SUS304	BLACK NICKEL
C	BOTTOM COVER	1	LCP UL 94V-0	BLACK
B	TOP COVER	1	LCP UL 94V-0	BLACK
A	HOUSING	1	LCP UL 94V-0	BLACK
NO	DESCRIPTION	QTY	MATERIAL	PLATING & COLOR
UNLESS OTHERWISE SPECIFIED TOLERANCES		Singatron Enterprise Co., Ltd. 信音企業股份有限公司		
DECIMALS: ANGLES:		TITLE: HDMI A TYPE FEMALE, SINKING		
X	:±0.5	X	:±2°	DWN YUREN PART NO.2HE3Y61-000111F
X.X	:±0.3	X.X	:±1°	CHKD CERRY SCALE 4/1 UNIT: mm
X.XX	:±0.2	APVD LIAO	SIZE: A3	SHEET:1 OF 1 REV:B
CUSTOMER COPY				