

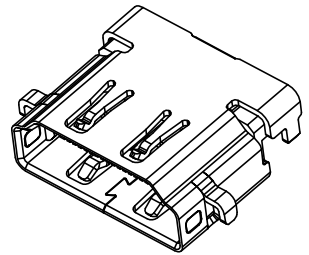
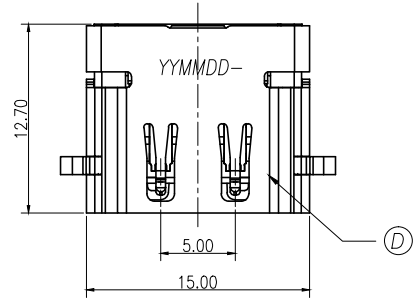


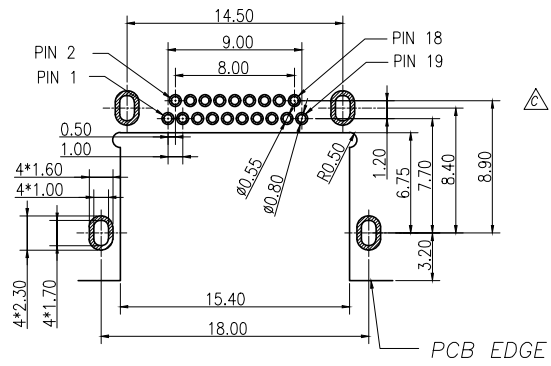
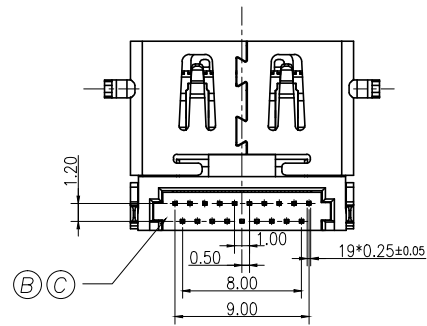
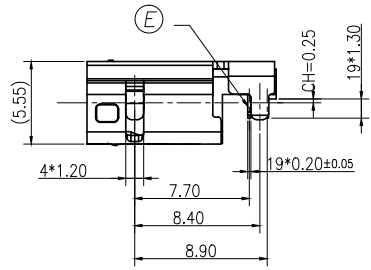
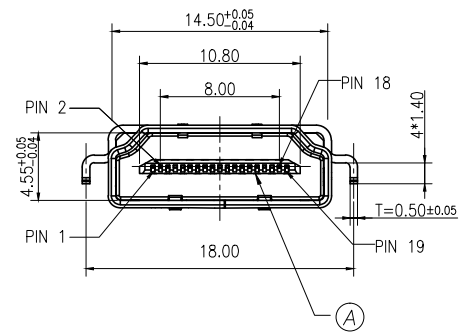
REV.	ECN NO OR DESCRIPTION	REVISED	DATE
A	PDR NO: S150422-2A	Charles	2015.08.06
B	ECN NO: S151276-0	YUREN	2016.1.26
C	ECN NO: S160461-C	YUREN	2016.07.21

SPECIFICATIONS:

- ELECTRICAL CHARACTERISTICS:
 - CURRENT RATING: 0.5 AMP.
 - VOLTAGE RATING: 40V.
 - CONTACT RESISTANCE: 30mΩ MAX.
 - INSULATION RESISTANCE: 100MΩ MIN. @ 500V DC.
 - DIELECTRIC WITHSTANDING VOLTAGE: 500V AC FOR 1 MINUTE.
- MECHANICAL CHARACTERISTICS:
 - INSERTION FORCE: 3.0Kgf MAX.
 - WITHDRAWAL FORCE: 1.0~4.0Kgf.
- LIFE TEST: 10,000 CYCLES.
- TO CONFORM TO SINGATRON HAZARDOUS SUBSTANCE FREE SPECIFICATION
- HALOGEN FREE PRODUCT IDENTIFICATION LOGO ON PACKAGING: 
- HALOGEN FREE PRODUCT IDENTIFICATION MARK ON PRODUCT: 
- FOR REFLOW SOLDERING LEAD-FREE PROCESS.
- PACKAGING: TAPE & REEL



3D VIEW




RECOMMENDED PCB LAYOUT(T:1.00±0.05mm)

COMPONENT SIDE(TOL:±0.05)

PIN DEFINE:

PIN	SIGNAL ASSIGNMENT	PIN	SIGNAL ASSIGNMENT
1	TMDS DATA2+	2	TMDS DATA2 SHIELD
3	TMDS DATA2-	4	TMDS DATA1+
5	TMDS DATA1 SHIELD	6	TMDS DATA1-
7	TMDS DATA0+	8	TMDS DATA0 SHIELD
9	TMDS DATA0-	10	TMDS CLOCK+
11	TMDS CLOCK SHIELD	12	TMDS CLOCK-
13	CEC	14	UTILITY
15	SCL	16	SDA
17	DCC/CEC CROUND	18	+5V POWER
19	HOT PLUG DETECT		

NO	DESCRIPTION	QTY	MATERIAL	PLATING & COLOR
E	CONTACT	19	COPPER ALLOY	GOLD 5u" PLATED ON CONTACT AREA MATTE TIN 100u" MIN. PLATED ON SOLDER AREA NICKEL 50u" MIN. UNDERPLATED OVER ALL
D	SHELL	1	STELL	NICKEL PLATED
C	COVER	1	LCP UL 94V-0	BLACK
B	TOP COVER	1	LCP UL 94V-0	BLACK
A	HOUSING	1	LCP UL 94V-0	BLACK

UNLESS OTHERWISE SPECIFIED TOLERANCES		 Singatron Enterprise Co., Ltd. 信音企業股份有限公司	
DECIMALS:	ANGLES:	TITLE	HDMI A TYPE R/A DIP RVS OFFSET 0.4H
X :±0.5	X :±1°	DWN	YUREN PART NO. 2HE3Y67-000111F
X.X :±0.3	X.X :±0.5°	CHKD	CERRY SCALE 1/1 UNIT: mm
X.XX :±0.2		APVD	LIAO SIZE: A3 SHEET: 1 OF 1 REV: C
CUSTOMER COPY			