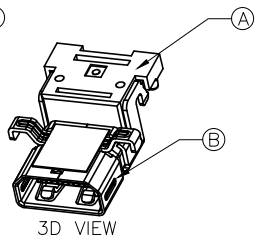
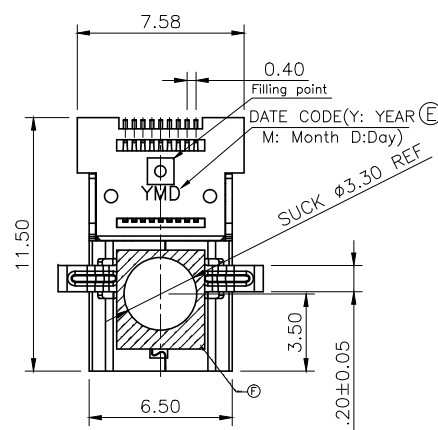
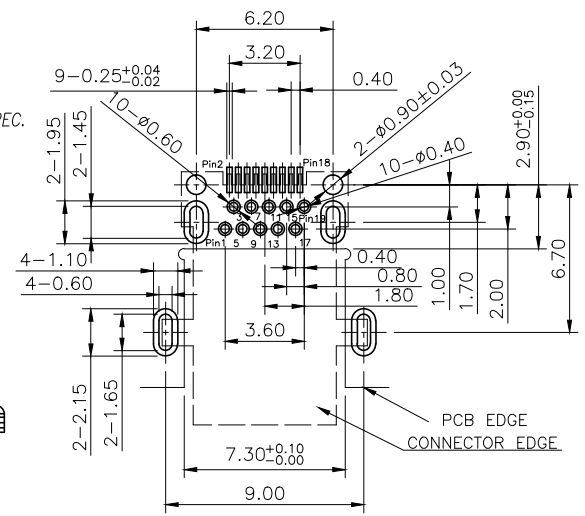
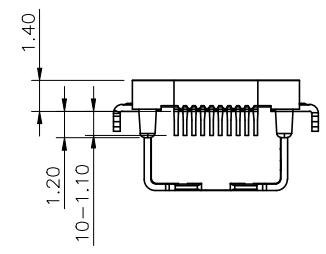
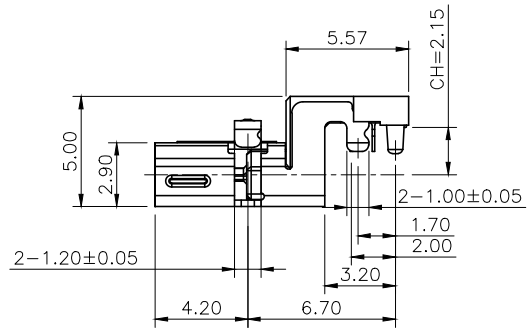
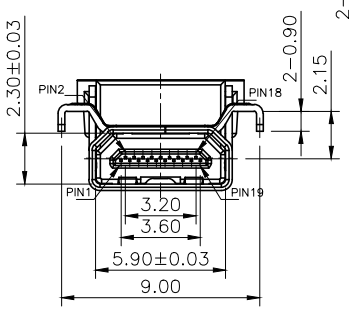


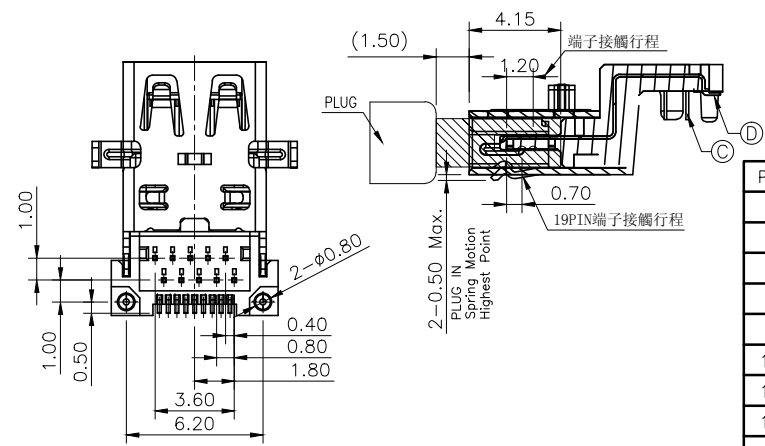
REV.	ECN NO OR DESCRIPTION	REVISED	DATE
A	PDR NO: T151105-1A	JTTLUCKY	2016.05.05



- SPECIFICATIONS:
- ELECTRICAL CHARACTERISTICS:
    - RATING: 12V 1A
    - CONTACT RESISTANCE: 30mΩ MAX.(INITIAL)
    - DIELECTRIC WITHSTANDING VOLTAGE: 500V AC FOR ONE MINUTE.
    - INSULATION RESISTANCE: 100MΩ MIN. MEASURED BY 500 VDC
  - MECHANICAL CHARACTERISTICS:
    - INSERTION FORCE : 0.3~3.0 KGF
    - WITHDRAWAL FORCE : 0.3~3.0 KGF
  - LIFE TEST: 5,000 CYCLES MIN.
  - OTHER GENERAL SPEC. TO REFER "2HE3Y72-001111F SPEC".
  - TO CONFORM TO SINGATRON HAZARDOUS SUBSTANCE FREE SPEC.
  - HALOGEN PRODUCT IDENTIFICATION MARK ON JACK:
  - HALOGEN PRODUCT IDENTIFICATION LABEL ON PACKAGING:
  - FOR REFLOW SOLDERING LEAD-FREE PROCESS.



RECOMMENDED PCB LAYOUT(TOP VIEW)  
(TOLERANCE=±0.05mm)



HDMI TYPE D PIN ASSIGNMENT

PIN	Signal Assignment	PIN	Signal Assignment
1	Hot Plug Detect	2	Utility
3	TMDS Data2+	4	TMDS Data2 Shield
5	TMDS Data2-	6	TMDS Data1+
7	TMDS Data1 Shield	8	TMDS Data1-
9	TMDS Data0+	10	TMDS Data0 Shield
11	TMDS Data0-	12	TMDS Clock+
13	TMDS Clock Shield	14	TMDS Clock-
15	CEC	16	DDC/CEC Ground
17	SCL	18	SDA
19	+5V Power		

F	Mylar	1	KAPTON	YELLOW
E	INK			BLACK
D	SMT-CONTACT	9	COPPER ALLOY,T=0.12	Au 1/2 PLATING ON CONTACT AREA: 60-150u"MIN. Sn PLATING ON SOLDER AREA: ALL OVER Ni 50u"MIN
C	DIP-CONTACT	10	COPPER ALLOY,T=0.12	Au 1/2 PLATING ON CONTACT AREA: 60-150u"MIN. Sn PLATING ON SOLDER AREA: ALL OVER Ni 50u"MIN
B	SHELL	1	STAINLESS STEEL,T=0.3	NICKEL PLATED 50u"Min.
A	HOUSING	1	HIGH TEMP. THERMOPLASTIC UL 94V-0	BLACK
NO	DESCRIPTION	QTY	MATERIAL	PLATING & COLOR
UNLESS OTHERWISE SPECIFIED TOLERANCES		Singatron Enterprise Co., Ltd. 信音企業股份有限公司		
DECIMALS: ANGLES:		TITLE: HDMI ATYPE FEMALE TYPE		
X	:±0.5 X :±2°	DWN	jttlucky	PART NO.2HE3Y72-001111F
X.X	:±0.3 X.X :±1°	CHKD	james	SCALE 1:1 UNIT: mm
X.XX	:±0.2	APVD	boye	SIZE: A3 SHEET:1 OF 1 REV: A
CUSTOMER COPY				