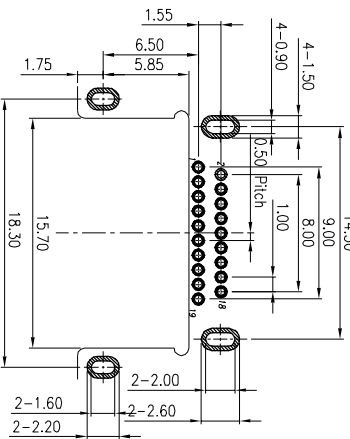
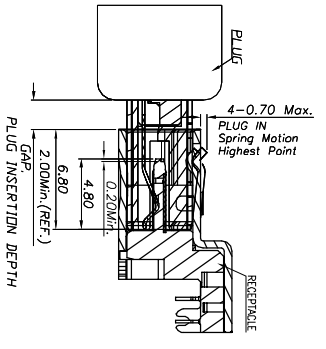
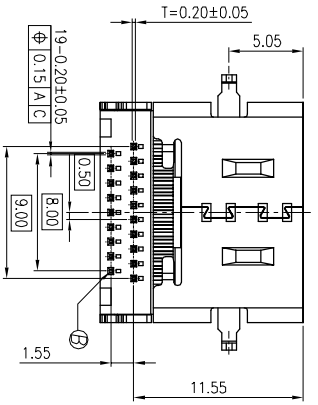
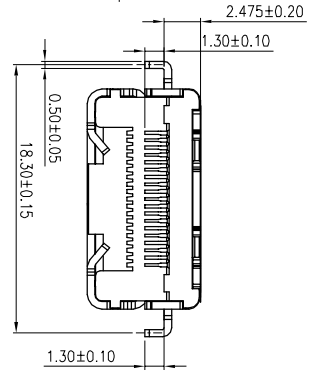
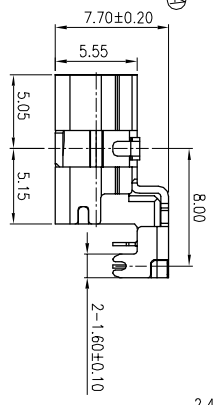
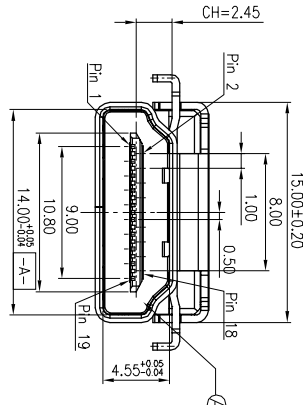
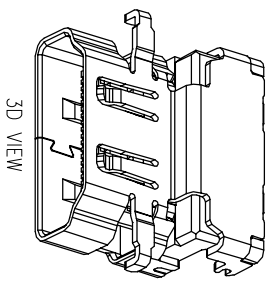
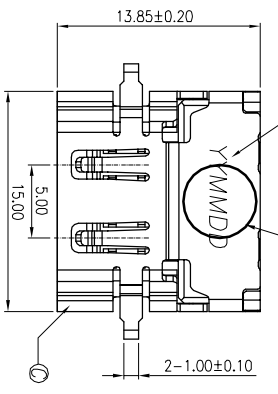


DATE CODE  
 Ø5.00 PICK UP AREA



RECOMMENDED PCB LAYOUT (COMPONENT SIDE) TOP VIEW  
 DEFAULT TOLERANCES ±0.05mm P.C.B THICKNESS=1.00mm

SPECIFICATIONS:

- ELECTRICAL CHARACTERISTICS:
  - RATING: 40V 0.5A
  - CONTACT RESISTANCE: 30mΩ MAX (INITIAL)
  - DIELECTRIC WITHSTANDING VOLTAGE: 500V AC FOR ONE MINUTE.
  - INSULATION RESISTANCE: 100MΩ MIN. MEASURED BY 500 VDC
- MECHANICAL CHARACTERISTICS:
  - INSERTION FORCE : 4.5 KGf MAX.
  - WITHDRAWAL FORCE : 1.0~4.0 KGf
- LIFE TEST: 10,000 CYCLES MIN.
- OTHER GENERAL SPEC. TO REFER "HDMI SERIES SPEC."
- TO CONFORM TO SINGATRON HAZARDOUS SUBSTANCE FREE SPEC.
- HALOGEN PRODUCT IDENTIFICATION MARK ON JACK: Ⓢ
- HALOGEN PRODUCT IDENTIFICATION LABEL ON PACKAGING: Ⓢ
- FOR REFLOW SOLDERING LEAD-FREE PROCESS.

PART NO.  
 ZHE3Y76-001311F  
 C.H.-2.45mm

SUFFIX: HALOGEN FREE  
 PACKAGE  
 1: TAPE AND REEL  
 HOUSING COLOR  
 1: BLACK  
 CONTACT PLATING  
 3: 5U GOLD PLATING ON CONTACT AREA,  
 WHITE TIN ON SOLDER AREA

D	INK		
C	TERMINAL	19 C2680-H	SEE PART NO.
B	HOUSING	1 LCP UL 94V-0	BLACK
A	SHELL	1 SUS 304	BLACK NICKEL PLATED 500 <sup>u</sup> MIN.
NO	DESCRIPTION	QTY	PLATING & COLOR
UNLESS OTHERWISE SPECIFIED TOLERANCES			
DECIMALS:		ANGLES:	
X	:±0.5	X	:±2°
X.X	:±0.3	X.X	:±1'
X.XX	:±0.2		
TITLE HDMI A TYPE FEMALE REVERSE C.H=2.45mm			
DWN Qizhen PART NO. ZHE3Y76-001311F			
CHKD Qizhen SCALE 4:1 UNIT: mm			
APVD SIZE: A3 SHEET: 1 OF 1 REV: A			
CUSTOMER COPY			

Singatron Enterprise Co., Ltd.  
 信安企业股份有限公司

REV	ECN NO	OR DESCRIPTION	REVISED	DATE
A	PDR NO: T80419-1A	Qizhen		2018.08.14