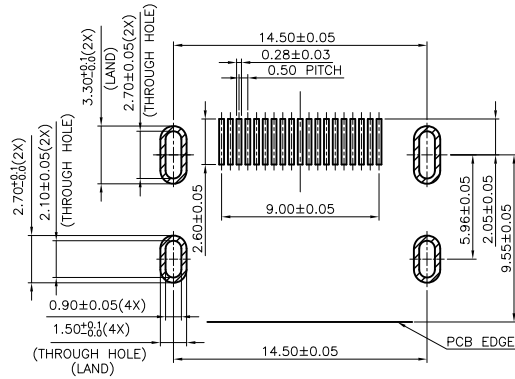
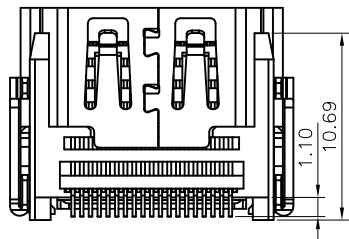
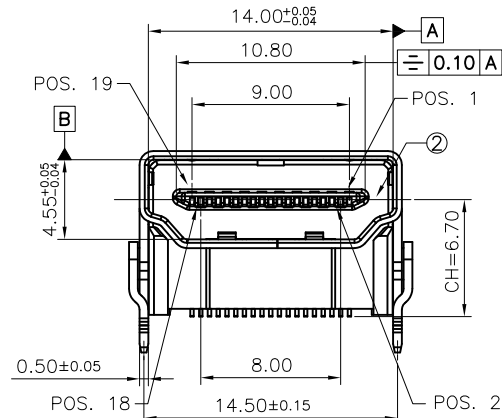
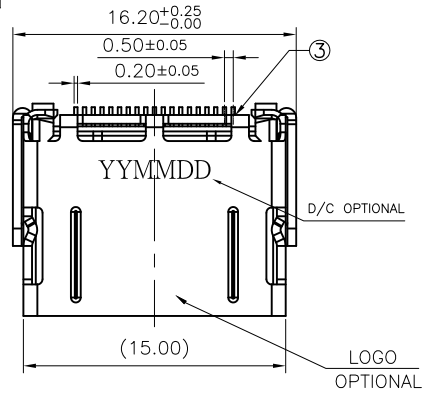


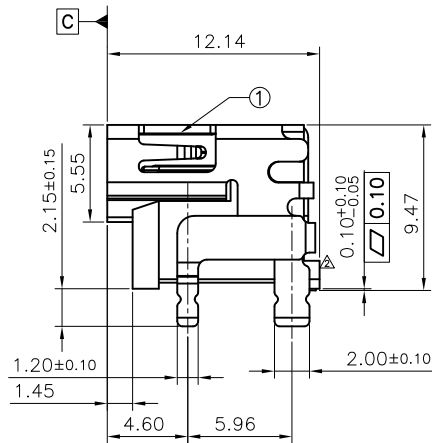
RoHS COMPLIANCE

HF Compliant

PRELIMINARY



RECOMMENDED P.C.B. LAYOUT (T:1.20mm)  
TOLERANCE UNSPECIFIED ±0.05mm



REV.	ZONE	LTR	DESCRIPTION	DATE	REVISER	APPD.
0.1	/	△	NEW DWG	09/05'16	King	Bill
0.2	/	△	Shell bending process to increase the process	10/07'16	King	Bill

ORDERING INFORMATION :

2HE403- 3 0M N 3 R 0 \*\*\*  
(1) (2) (3) (4) (5) (6) (7) (8)

- (1) SERIES NUMBER :  
2HE403:HDMI A TYPE SERIES SMT TYPE SOCKET
- (2) COLOR CODES  
3:BLACK
- (3) CONTACT PLATINGS :  
0M:GOLD FLASH ON CONTACT AREA, MATTE TIN  
100u"MIN ON SOLDER AIL, ALL OVER NI 50u"MIN
- (4) SHELL PLATINGS :  
N:NICKEL PLATING
- (5) ENVIRONMENTAL PROTECTION NO.  
3:ROSH + HALOGEN FREE
- (6) PACKAGING  
R: TAPE REEL PACKING
- (7) SUFFIX NO.  
0:W/O LOGO,W/O D/C  
2:WITH LOGO,W/O D/C  
4:W/O LOGO,WITH D/C  
6:WITH LOGO,WITH D/C
- (8) SERIAL NUMBER  
184: SHELL MATERIAL IS STAINLESS STEEL

SPECIFICATIONS:

1. MECHANICAL:
  - 1.1 INSERTION FORCE: 44.1N MAX.
  - 1.2 WITHDRAWAL FORCE: 9.8N MIN.
2. ELECTRICAL:
  - 2.1 CONTACT CURRENT RATING: 0.5A MIN.
  - 2.2 VOLTAGE RATING: 40V AC(RMS)
  - 2.3 WITHSTANDING VOLTAGE:  
500 VOLTS AC BETWEEN ADIACENT TERMINAL(UNMATE)  
300 VOLTS AC BETWEEN ADIACENT TERMINAL(MATE)
  - 2.4 INSULATION RESISTANCE:  
100 MOHM MIN.(UNMATED); 10 MOHM MIN.(MATED)
  - 2.5 CONTACT RESISTANCE: 30 MILLIOHMS MAX.
3. ENVIRONMENTAL:
  - 3.1 OPERATING TEMPERATURE: -25°C TO +85°C

Singatron Enterprise Co., Ltd.

TITLE	HDMI TYPE A RECEPTALE CONNECTOR SMT TYPE		
DWN	King_Jhw	PART NO.	2HE403-30MN3Rx184
CHKD	Tiger_Tao	SCALE 1:1	UNIT: mm
APVD	Bill Wy	SIZE: A3	SHEET:1 OF 1 REV:0.2

CUSTOMER COPY

TOLERANCE UNSPECIFIED:	
.000	± 0.05
.00	± 0.10
.0	± 0.20
.	± 0.30
ANGLE	± 1°

19	C2680R-H T=0.20mm	CONTACT	③
1	LCP+30%G/F UL94V-0	HOUSING	②
1	SUS304-1/2H T=0.50mm	SHELL	①
QTY'S	SPECIFICATION	PART	ITEM