

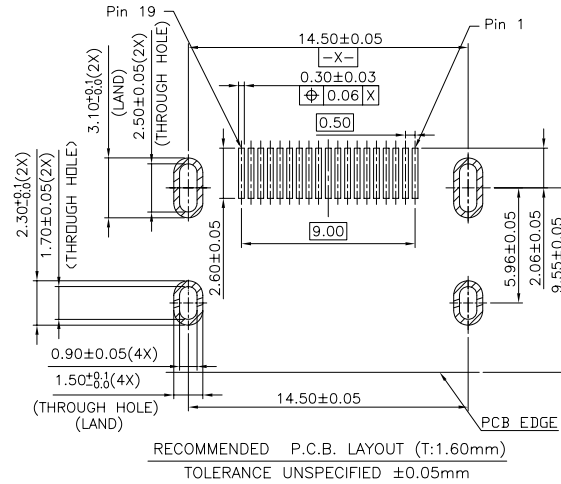
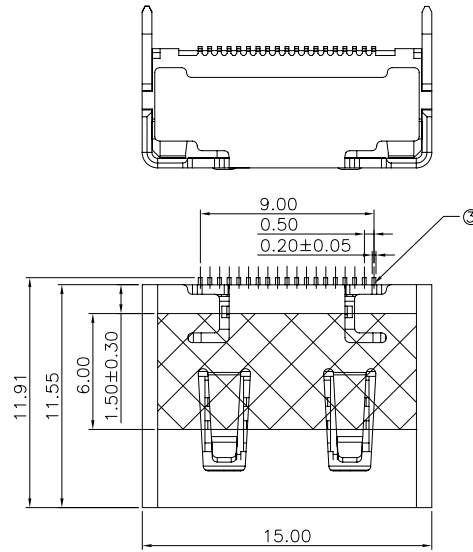
RoHS COMPLIANCE

REV.	ZONE	LTR	DESCRIPTION	DATE	REVISER	APPD.
0.1			NEW DRAWING	12/16-16	Kevin	Bill_WY

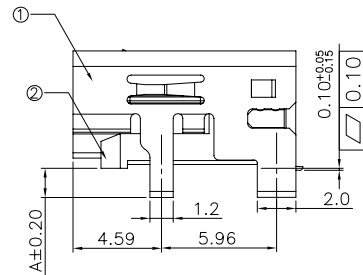
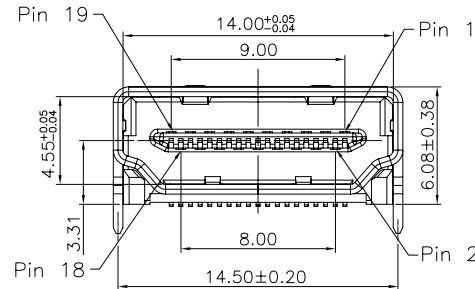
ORDERING INFORMATION

2HE417-3 * N 1 R 3 200
 (1) (2) (3) (4) (5) (6) (7) (8)

- SERIES NO.
2HE417:HDMI CONNECIOR SMI IYPE 19 POSIIIONS SOCKET
- COLOR CODES
3: BLACK
- CONTACT PLATING:
0M: Gold Flash on contact area, Matte Sn 100u" min on solder tail, All over Ni 60u" min.
0E: 15u" Min Gold on contact area, Matte Sn 100u" min on solder tail, All over Ni 60u" min.
0C: 30u" Min Gold on contact area, Matte Sn 100u" min on solder tail, All over Ni 60u" min.
- SHELL PLATING
N: 80u" Nickel Min all over with 30u" Min Cu underplated.
- ENVIRONMENTAL PROTECTION NO.
1: RoHS
- PACKAGING
R: TAPE REEL PACKING
- LOGO OPTIONAL NO.
2: SHELL WITHOUT LOGO,W/O MYLAR,SHELLSOLDER TAILS 2.20
3: SHELL WITHOUT LOGO,WITH MYLAR,SHELLSOLDER TAILS 1.51
- SERIAL NUMBER
200: WITHOUT FLANGE AND RIB ,WITH SIDE SPRING AND BACK COVER, AND TOP SPRING SOLDER TAIL IS T/H TYPE



RECOMMENDED P.C.B. LAYOUT (T:1.60mm)
 TOLERANCE UNSPECIFIED ±0.05mm



SPECIFICATIONS:

- MECHANICAL:
 - INSERTION FORCE: 44.1 N MAX.
 - WITHDRAWAL FORCE: 9.8N MIN.
- ELECTRICAL:
 - CONTACT CURRENT RATING: 0.5A MIN.
 - VOLTAGE RATING :40V AC(RMS)
 - WITHSTANDING VOLTAGE:
 - 500 VOLTS AC BETWEEN ADIACENT TERMINAL(UNMATE)
 - 300 VOLTS AC BETWEEN ADIACENT TERMINAL(MATE)
 - INSULATION RESISTANCE:
 - 100 MOHM MIN.(UNMATED); 10 MOHM MIN.(MATED)
 - CONTACT RESISTANCE: 30 MILLIOHMS MAX.
- ENVIRONMENTAL:
 - OPERATING TEMPERATURE: -25°C TO +85°C

OPTION	SPEC
SHELL SOLDER TAILS	A=1.51mm±0.20
	A=2.20mm ±0.20

QTY'S	SPECIFICATION	PART	FINISH	ITEM
19	C2680R-H,T=0.20mm	CONTACT	AU/NI	③
1	LCP+30%G.F BLACK	HOUSING		②
1	C5191R,T=0.50mm	SHELL	NI	①

Singatron Enterprise Co., Ltd.

TITLE	HDMI SMT A TYPE WITHOUT FLANGE CONNECTOR
DWN	PART NO.2HE417-3*N1R3200
CHKD	SCALE 1:1 UNIT: mm
APVD	SIZE: A3 SHEET:1 OF 1 REV:0.1

UNSPECIFIED TOLERANCE:
 DECIMALS: ANGLES:
 X.: ±0.3 X.: ±12'
 X.X: ±0.2 X.X : ±0.5'
 X.XX: ±0.10
 X.XXX: ±0.05

CUSTOMER COPY