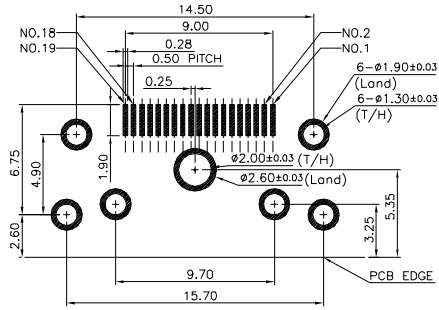
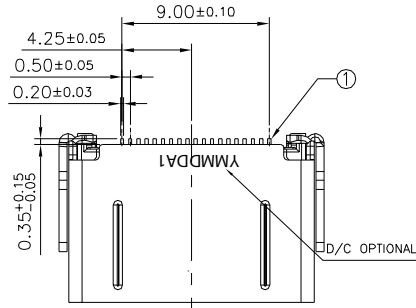


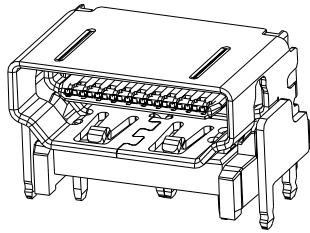
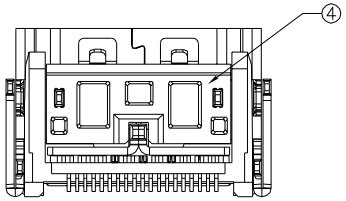
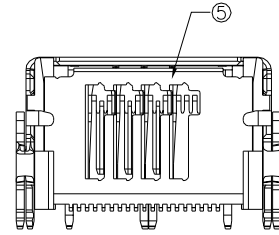
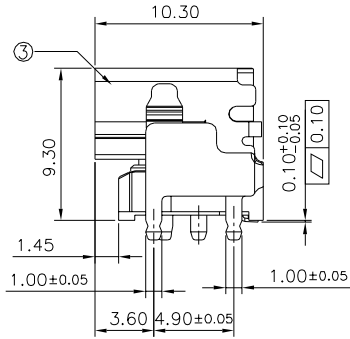
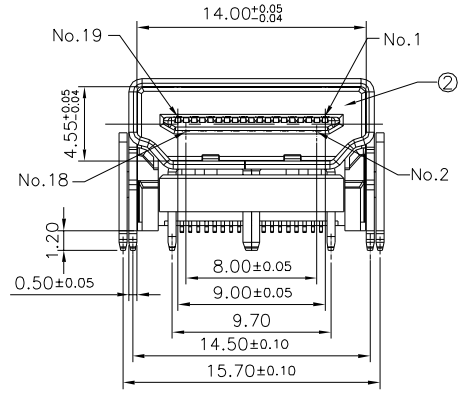
1 2 3 4 5 6 7 8

REV.	ZONE	LTR	DESCRIPTION	DATE	REVISER	APPD.
0.1	/	△	NEW DRAWING	2018.07.17	Kevin	BILL

**RoHS compliant** **HF Compliant**



RECOMMENDED P.C.B. LAYOUT (T=1.00±0.15mm)  
TOLERANCE UNSPECIFIED ±0.05mm



ORDERING INFORMATION :

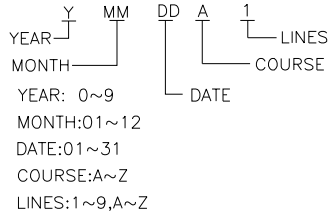
- 2HE440-30HN3R6234  
(1) (2)(3)(4)(5)(6)(7)(8)
- (1) SERIES NUMBER :  
HDIMI A TYPE SERIES SMT TYPE  
19 POSITIONS SOCKET
- (2) COLOR CODES  
3:BLACK
- (3) CONTACT PLATINGS :  
OH : CONTACT AREA:4u" Au,SOLDER AREA:2u",OVER NICKEL
- (4) SHELL PLATINGS :  
N:NICKEL PLATING
- (5) ENVIRONMENTAL PROTECTION NO.  
3:ROSH + HALOGEN FREE
- (6) PACKAGING  
R: TAPE REEL PACKING
- (7) SUFFIX NO.  
6: WITH D/C
- (8) SERIAL NUMBER  
234: SHELL MATERIAL IS STAINLESS STEEL

SPECIFICATIONS:

- 1. MECHANICAL:
  - 1.1 INSERTION FORCE: 44.1N MAX.
  - 1.2 WITHDRAWAL FORCE: 9.8N MIN.
- 2. ELECTRICAL:
  - 2.1 CONTACT CURRENT RATING: 0.5A MIN.
  - 2.2 VOLTAGE RATING: 40V AC(RMS)
  - 2.3 WITHSTANDING VOLTAGE:
    - 500 VOLTS AC BETWEEN ADIACENT TERMINAL(UNMATE)
    - 300 VOLTS AC BETWEEN ADIACENT TERMINAL(MATE)
  - 2.4 INSULATION RESISTANCE:
    - 100 MOHM MIN.(UNMATED); 10 MOHM MIN.(MATED)
  - 2.5 CONTACT RESISTANCE: 30 MILLIOHMS MAX.
- 3. ENVIRONMENTAL:
  - 3.1 OPERATING TEMPERATURE: -25°C TO +85°C

LASER PRINTING:

DATE CODE INFORMATION :



⑤	SPRING	1	SUS	Ni 0.5umMin	—
④	COVER	1	LCP+30%GF	BLACK	UL94 V-0
③	SHELL	1	SUS304 1/2H	Ni 0.5umMin	—
②	HOUSING	1	LCP+30%GF	BLACK	UL94 V-0
①	CONTACT	19	BRASS(C2680R-H)	CONTACT : Au 0.1umMin Ni 1.5~3.5um SMD Area: Au 0.05umMin Ni 1.5~3.5um	—
ITEM	PART NAME	Q'TY	MATERIAL	FINISH/COLOUR	NOTE

51U019S-30HN3R6234

GENERAL TOLERANCE (UNLESS SPECIFIED)	
.000	± 0.15
.00	± 0.20
.0	± 0.25
	±
ANGLE	± 1°

Singatron Enterprise Co., Ltd.			
TITLE	HDMI A TYPE FEMALE 1/M SMT TYPE HIGH=9.30mm		
DWN	Kevin 2018.7.17	PART NO.	2HE440-30HN3R6234
CHKD	Tiger	SCALE 1:1	UNIT: mm
APVD	Bill	SIZE: A3	SHEET: 1 OF 1 REV: 0.1
CUSTOMER COPY			