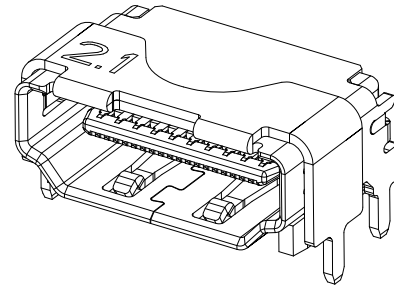
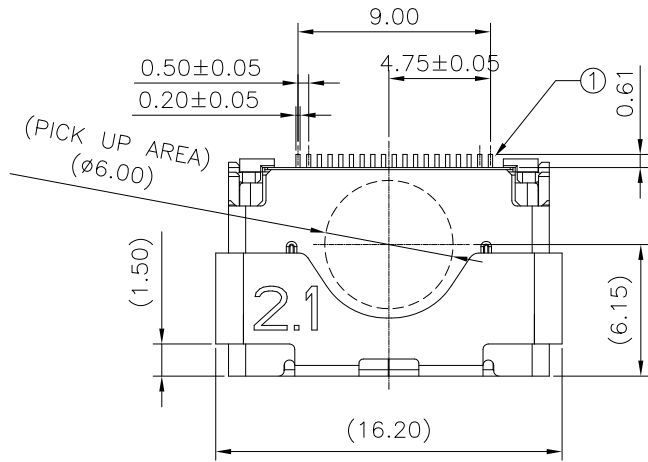


RoHS compliant

HF Compliant

| REV. | ZONE | LTR | DESCRIPTION                  | DATE       | REVISER | APPD. |
|------|------|-----|------------------------------|------------|---------|-------|
| 0.1  | /    | △   | NEW DRAWING                  | 2019.01.02 | Kevin   | BILL  |
| 0.2  | A5   | △   | ADD NEW ORDERING INFORMATION | 2020.01.02 | Kevin   | BILL  |

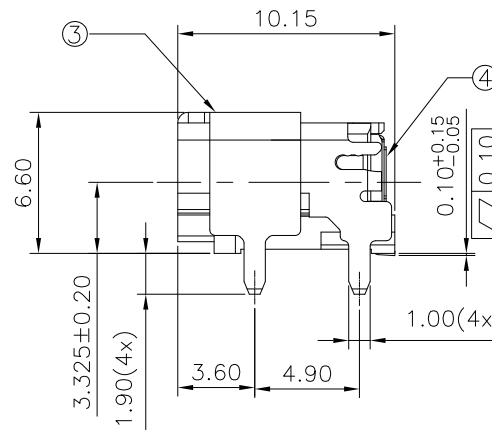
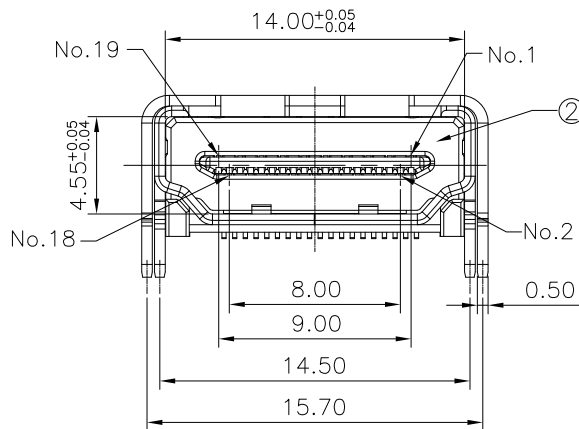


3D VIEW

ORDERING INFORMATION :

△ 2HE446 - 3 5 R 0 241 HF  
 (1) (2) (3) (4) (5) (6) (7)

- (1) SERIES NUMBER :  
2HE446:HDIMI A TYPE SERIES SMT TYPE SOCKET
- (2) COLOR CODES  
3:BLACK
- (3) CONTACT PLATINGS :  
4 : CONTACT AREA: G/F Au,SOLDER AREA: G/F Au  
5 : CONTACT AREA: 15u" Au,SOL:DER AREA: G/F Au
- (4) PACKAGING  
R: TAPE REEL PACKING
- (5) SUFFIX NO.  
0:SHELL WITHOUT LOGO, WITHOUT D/C
- (6) SERIAL NUMBER  
241: SHELL MATERIAL IS BRASS,PLATING NICKEL
- (7) ENVIRONMENTAL PROTECTION NO.  
HF:RoHS + HALOGEN FREE



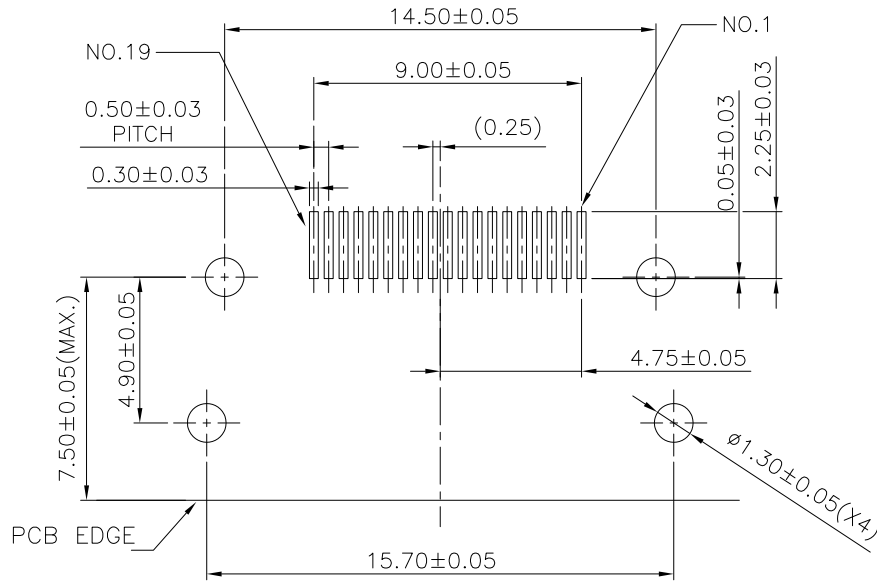
|   |        |
|---|--------|
| GENERAL TOLERANCE<br>(UNLESS SPECIFIED) |        |
| .000                                    | ± 0.15 |
| .00                                     | ± 0.20 |
| .0                                      | ± 0.25 |
| .                                       | ±      |
| ANGLE                                   | ± 1°   |

|                                       |   |                 |                   |
|---------------------------------------|---|-----------------|-------------------|
| <b>Singatron Enterprise Co., Ltd.</b> |   |                 |                   |
| <b>TITLE</b>                          | HDIMI 2,1_A TYPE FEMALE 1/M<br>SMT TYPE HIGH=6.60mm |                 |                   |
| <b>DWN</b>                            | Kevin<br>2020.01.02                                 | <b>PART NO.</b> | 2HE446-35R0241HF  |
| <b>CHKD</b>                           | Tiger<br>2020.01.02                                 | <b>SCALE</b>    | 1:1               |
| <b>APVD</b>                           | Bill<br>2020.01.02                                  | <b>UNIT:</b>    | mm                |
|                                       | <b>SIZE:</b>  | A3              | <b>SHEET:</b> 1/2 |
|                                       |   |                 | <b>REV:</b> 0.2   |
| <b>CUSTOMER COPY</b>                  |   |                 |                   |

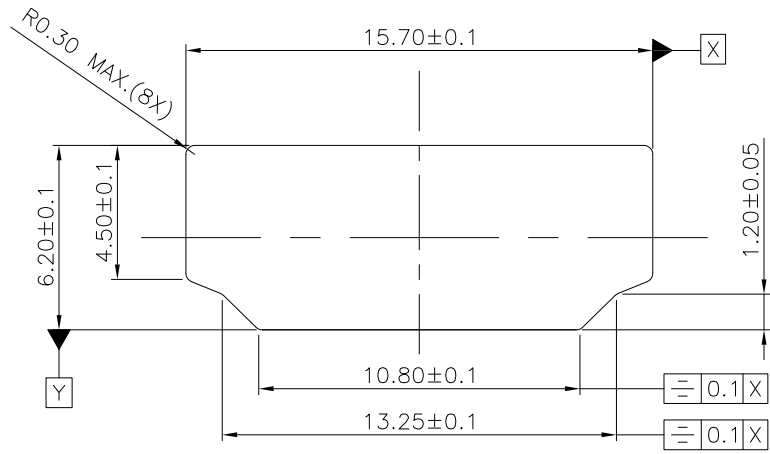
RoHS compliant

HF Compliant

| REV. | ZONE | LTR | DESCRIPTION                  | DATE       | REVISER | APPD. |
|------|------|-----|------------------------------|------------|---------|-------|
| 0.1  | /    | △   | NEW DRAWING                  | 2019.01.02 | Kevin   | BILL  |
| 0.2  | A5   | △   | ADD NEW ORDERING INFORMATION | 2020.01.02 | Kevin   | BILL  |



RECOMMENDED P.C.B. LAYOUT (T:1.20mm)  
TOLERANCE UNSPECIFIED ±0.05mm



RECOMMENDED PANEL CUT OUT DIMENSION

SPECIFICATIONS:

1. MECHANICAL:

- 1.1 WITHDRAWAL FORCE AFTER 2000 CYCLES: 39.2N Max,9.8N Min.
- 1.2 WITHDRAWAL FORCE AFTER 2001-10000 CYCLES: 39.2N Max,2.94N Min.
- 1.3 INSERTION FORCE:44.1N Max.

2. ELECTRICAL:

- 2.1 CONTACT CURRENT RATING: 0.5A MIN.
- 2.2 VOLTAGE RATING: 40V AC(RMS)
- 2.3 WITHSTANDING VOLTAGE:  
500 VOLTS AC BETWEEN ADJACENT TERMINAL(UNMATE)  
300 VOLTS AC BETWEEN ADJACENT TERMINAL(MATE)
- 2.4 INSULATION RESISTANCE:  
100 MOHM MIN.(UNMATED); 10 MOHM MIN.(MATED)
- 2.5 CONTACT RESISTANCE: 30 MILLIOHMS MAX.

3. ENVIRONMENTAL:

- 3.1 OPERATING TEMPERATURE: -25°C to +85°C
- 3.2 STORAGE TEMPERATURE: -20°C TO 60°C
- 3.3 SALT SPRAY: SPCC 8H,COPPER ALLOY 24H

|       |                       |            |      |
|-------|-----------------------|------------|------|
| 1     | SUS                   | EMI SPRING | ④    |
| 19    | COPPER ALLOY          | CONTACT    | ③    |
| 1     | THERMOPLASTIC UL94V-0 | HOUSING    | ②    |
| 1     | COPPER ALLOY          | SHELL      | ①    |
| QTY'S | SPECIFICATION         | PART       | ITEM |

| GENERAL TOLERANCE (UNLESS SPECIFIED) |        |
|--------------------------------------|--------|
| .000                                 | ± 0.15 |
| .00                                  | ± 0.20 |
| .0                                   | ± 0.25 |
|                                      | ±      |
| ANGLE                                | ± 1°   |

| Singatron Enterprise Co., Ltd. |  |          |                       |
|--------------------------------|--|----------|-----------------------|
| TITLE                          | HDMI 2.1_A TYPE FEMALE 1/M<br>SMT TYPE HIGH=6.60mm |          |                       |
| DWN                            | Kevin<br>2020.01.02                                | PART NO. | 2HE446-35R0241HF      |
| CHKD                           | Tiger<br>2020.01.02                                | SCALE    | 1:1 UNIT: mm          |
| APVD                           | Bill<br>2020.01.02                                 | SIZE     | A3 SHEET: 2/2 REV:0.2 |
| <b>CUSTOMER COPY</b>           |  |          |                       |