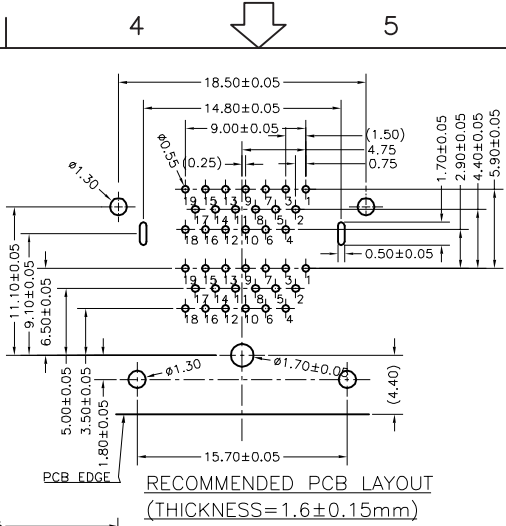


RoHS compliant

DATE CODE
 DATE CODE(Y Y W W)1:
 Y Y W W
 WEEK YEAR
 DATE CODE(M M D D Y Y)2:
 M M D D Y Y
 MONTH DAY YEAR
 DATE CODE 3(Y Y W W K):
 Y Y W W K
 WEEK YEAR

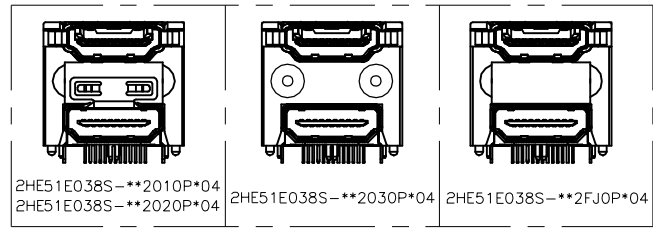
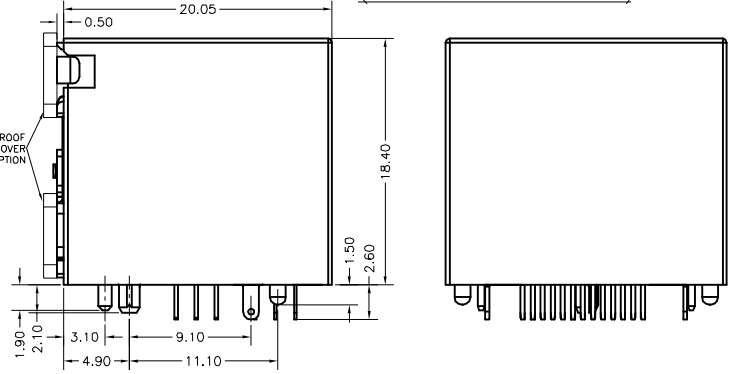
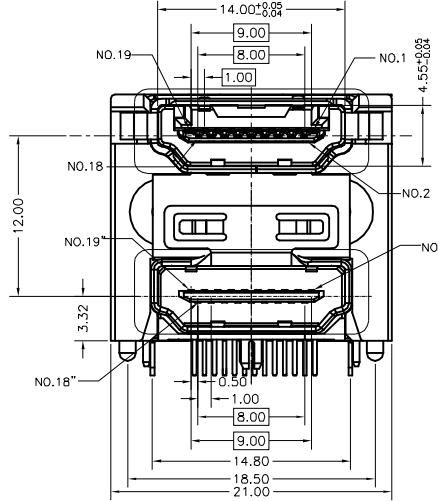
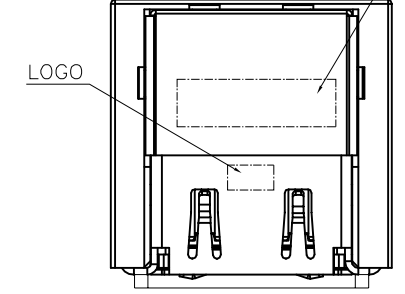


REV	ZONE	LTR	DESCRIPTION	DATE	REVISER	APPD
0.1			new design	2014/10/31	jack	

ORDERING INFORMATION

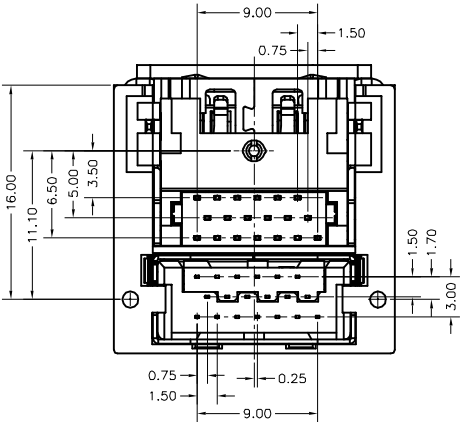
2HE51 E 038 S - × × 2 ** 0 P × 04
 (1) (2) (3) (4) (5) (6) (7) (8)(9)(10) (11)(12)

- SERIES NO.
- 2HE51: HDMI CONNECTOR
- SERIES NO.
- E: DUAL HDMI STACKED CONNECTOR, THROUGH HOLE TYPE
- PRODUCT CONSTRUCTION TYPE
038: HDMI TO HDMI
- CONTACT & CONNECTION TYPES:
S: SOCKET
- CONTACT PLATING:
0: GOLD FLASH IN CONTACT AREA,
MATTE TIN PLATED IN SOLDER AREA, UNDERPLATING Ni OVER ALL.
2: 15u" GOLD PLATED IN CONTACT AREA,
MATTE TIN PLATED IN SOLDER AREA, UNDERPLATING Ni OVER ALL.
3: 30u" GOLD PLATED IN CONTACT AREA,
MATTE TIN PLATED IN SOLDER AREA, UNDERPLATING Ni OVER ALL.
- SHELL PLATING
N: SOLDERABLE NICKEL PLATED
- 4: GOLD FLASH PLATED
- ENVIRONMENT OPTION:
2: ROHS AND REACH COMPLIANT
- SUFFIX No.1
01: BRACKET MATERIAL IS PA10T PLASTICS
UPPER SHELL TAIL IS THROUGH HOLE TYPE
BOTTOM HDMI WITH FLANGE AND SPRING LATCH
SHELL TAIL IS THROUGH HOLE TYPE, W/O BACK LEG
THE FRONT LEG LENGTH IS 1.9mm, THE PIN LENGTH IS 2.6mm
02: BRACKET MATERIAL IS PBT PLASTICS
UPPER SHELL TAIL IS THROUGH HOLE TYPE
BOTTOM HDMI WITH FLANGE AND SPRING LATCH
SHELL TAIL IS THROUGH HOLE TYPE, W/O BACK LEG
THE FRONT LEG LENGTH IS 1.9mm, THE PIN LENGTH IS 2.6mm
03: BRACKET MATERIAL IS PBT PLASTICS, WITHOUT EMI SPRING
SHELL TAIL IS THROUGH HOLE TYPE, W/O FLANGE AND SPRING LATCH
BOTTOM SHELL TAIL IS THROUGH HOLE TYPE, W/O BACK LEG
THE FRONT LEG LENGTH IS 1.9mm, THE PIN LENGTH IS 2.6mm
FJ: BRACKET MATERIAL IS PBT PLASTICS
UPPER SHELL TAIL IS THROUGH HOLE TYPE
BOTTOM HDMI WITHOUT FLANGE OR SPRING LATCH
SHELL TAIL IS THROUGH HOLE TYPE, W/O BACK LEG
THE FRONT LEG LENGTH IS 1.9mm, THE PIN LENGTH IS 2.6mm
- SUFFIX No.2
0: LEVEL 0
- PACKAGING CODE:
P: TRAY PACKING
- SUFFIX No.3
A: WITH OUT LOGO AND DIRTYPROOF COVER, D/C
J: WITH OUT DIRTYPROOF COVER AND LOGO, WITH D/C3
4: WITH OUT DIRTYPROOF COVER AND LOGO, WITH D/C1
9: WITH OUT LOGO AND D/C, WITH DIRTYPROOF COVER
- SUFFIX No.4
04: SERIAL NUMBER



SPECIFICATIONS

SPECIFICATIONS
 OPERATING CURRENT: 0.5A MAX.
 OPERATION TEMPERATURE: -25°C TO +85°C
 DIELECTRIC WITHSTANDING VOLTAGE:
 500Volts AC BETWEEN ADJACENT TERMINAL (UNMATE)
 300Volts AC BETWEEN ADJACENT TERMINAL (MATE)
 INSULATION RESISTANCE:
 100Mohm MIN. (UNMATED); 10Mohm MIN. (MATED)



TOLERANCE UNLESS SPECIFIED	
...	±0.25
...	±0.38
ANGLE	± 1°

Singatron Enterprise Co., Ltd.			
TITLE	DUAL HDMI STACKED CONNECTOR THROUGH HOLE TYPE (無螺絲)		
DWN	PART NO. 2HE51E038S-xx2xx0Px04		
CHKD	SCALE 1:1	UNIT: mm	⊕
APVD	SIZE: A3	SHEET: 1 OF 1	REV: 0.1
CUSTOMER COPY			