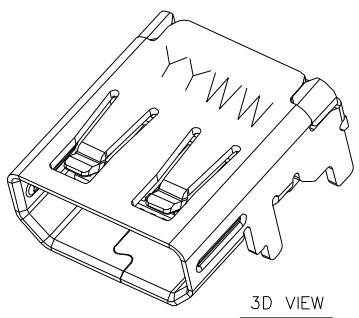
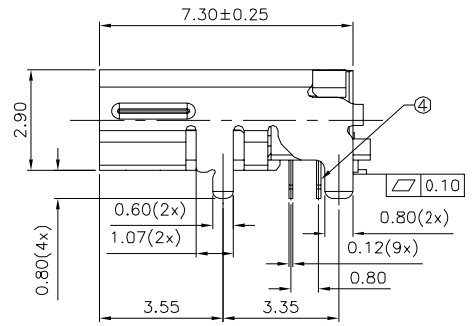
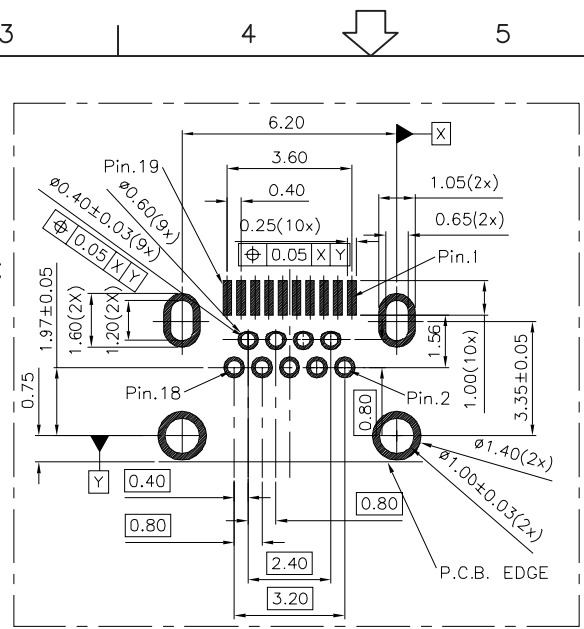
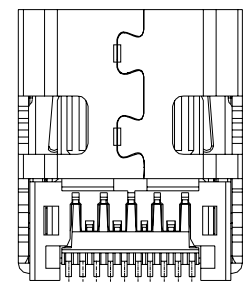
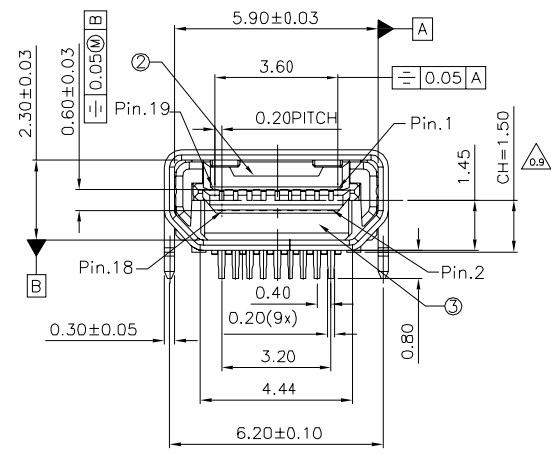
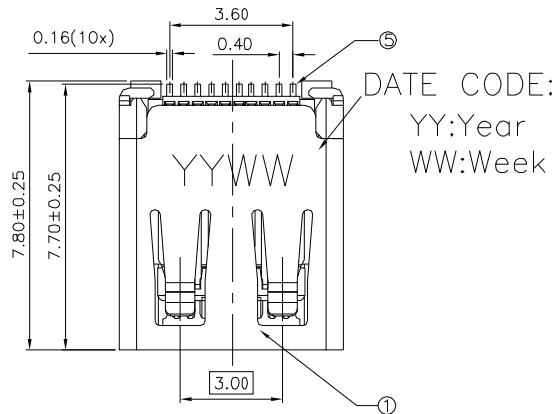


RoHS COMPLIANT HALOGEN FREE



REV.	ZONE	LTR	DESCRIPTION	DATE	REVISER	APPD.
0.8	/	$\triangle_{0.8}$	ADD PLATED SPEC	10/30'13	Jason	LiuJun
0.9	/	$\triangle_{0.9}$	ADD SPEC AND CH DIMENSION	07/16'14	Jason	

ORDERING INFORMATION

2HE65 G 019 S - \* \* \* \* \* D R \* \*

(1) (2) (3) (4) (5) (6) (7) (8) (9)(10)(11)(12)(13)

- SERIES NO.  
2HE65: HDMI CONNECTOR, TYPE D
- TAIL CONSTRUCTION TYPE  
G: FRONT SOLDER TAIL IS DIP  
AND BLACK SOLDER TAIL IS SMT TYPE
- NUMBER OF PIN  
019: 19 POSITIONS
- CONTACT & CONNETING TYPE  
S: SOCKET
- CONTACT PLATING:  
O: GOLD PLATED OVER ALL, 50u" NICKEL UNDER-PLATING ,  
GOLD FLASH ON CONTACT AREA, GOLD FLASH ON SOLDER AREA  
5: GOLD PLATED OVER ALL, 50u" NICKEL UNDER-PLATING ,  
 $\triangle_{0.9}$  15U" AU PLATED ON CONTACT AREA, GOLD FLASH ON SOLDER AREA
- SHELL PLATING:  
U: 50u"MIN NICKEL UNDERPLATING, GOLD FLASH ON SOLDER AREA  
N: 50u"MIN NICKEL PLATED OVER ALL  
 $\triangle_{0.5}$  B: 50u"MIN BLACK NICKEL PLATED OVER ALL
- ENVIRONMENTAL PROTECTION  
 $\triangle_{0.9}$ : RoHS COMPLIANT 3: HALOGEN FREE COMPLIANT
- SHELL CONSTRUCTION  
O: SOLDER TAIL IS THROUGH HOLE TYPE
- COLOR CODES:  
3: BLACK 4: NATURAL
- FLATNESS NO  
D: FLATNESS 0.10 Max
- THE PACKAGE NO  
R: TAPE REEL PACKAGE
- SUFFIX NO.1  
L: PRODUCT LENGTH IS 7.70mm.
- SUFFIX NO.2  
NONE:NO LOGO, WITH D/C  
 $\triangle_{0.9}$  3: NO LOGO, NO D/C

10	COPPER ALLOY	SMT CONTACT	⑤
9	COPPER ALLOY	DIP CONTACT	④
1	HIGH THERMOPLASTIC UL94V-0	BOTTOM INSULATOR	③
1	HIGH THERMOPLASTIC UL94V-0	TOP INSULATOR	②
1	STAINLESS STEEL	SHELL	①
QTY'S	SPECIFICATION	PART	ITEM

Singatron Enterprise Co., Ltd.

TITLE	HDMI D TYPE(MICRO HDMI) RECEPTACLE SHELL TAIL IS THROUGH HOLE		
DWN	Jason07/16'14	PART NO.	2HE65G019S-****DR**
CHKD	LiuJun07/16'14	SCALE	1:1 UNIT: mm
APVD	Bili07/16'14	SIZE: A3	SHEET:1 OF 1 REV:0.9

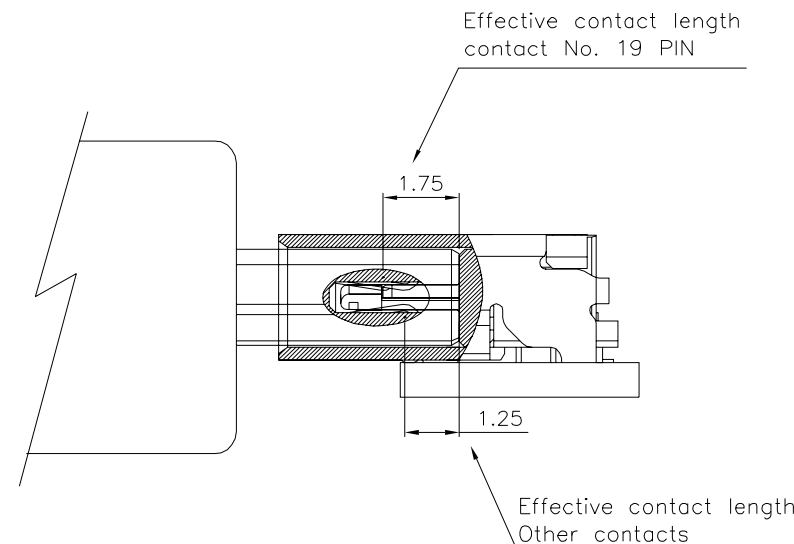
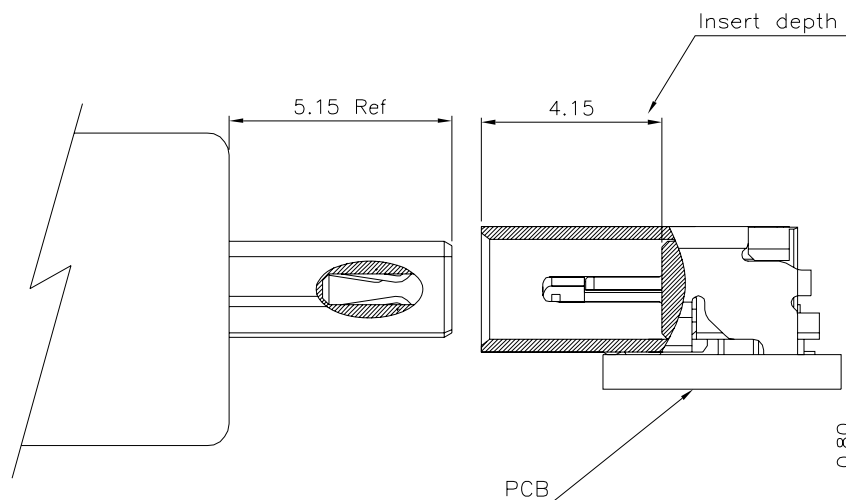
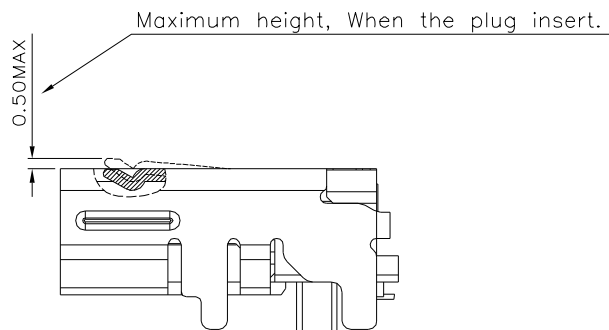
TOLERANCE UNSPECIFIED:  
.000 ± 0.15  
.00 ± 0.20  
.0 ± 0.25  
± 0.30  
ANGLE ± 2'

CUSTOMER COPY

RoHS COMPLIANT

HALOGEN FREE

REV.	ZONE	LTR	DESCRIPTION	DATE	REVISER	APPD
0.8	/	△0.8	ADD PLATED SPEC	10/30'13	Jason	Liujun
0.9	/	△0.9	ADD SPEC AND CH DIMENSION	07/16'14	Jason	



Remark:

1. Withdrawal Force  
5N-25N  
3N-25N(After 5000 Cycles)
2. Insertion Force  
44.1N Max.
3. Durability  
5000 Cycles

TOLERANCE	UNSPECIFIED:
.000	± 0.15
.00	± 0.20
.0	± 0.25
.	± 0.30
ANGLE	± 2°

<b>Singatron Enterprise Co., Ltd.</b>			
<b>TITLE</b>	HDMI D TYPE(MICRO HDMI) RECEPTACLE SHELL TAIL IS THROUGH HOLE		
<b>DWN</b>	Jason07/16'14	<b>PART NO.</b>	2HE65G019S-****DR**
<b>CHKD</b>	Liujun07/16'14	<b>SCALE</b>	1:1 <b>UNIT:</b> mm
<b>APVD</b>	Bill07/16'14	<b>SIZE:</b>	A3 <b>SHEET:</b> 1 OF 1 <b>REV:</b> 0.9
<b>CUSTOMER COPY</b>			