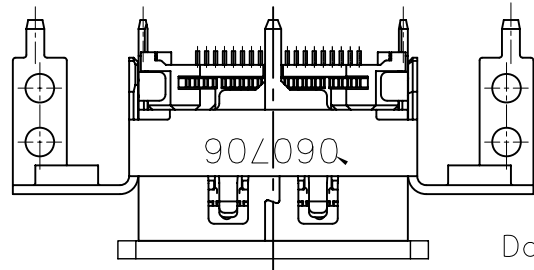


RoHS COMPLIANCE

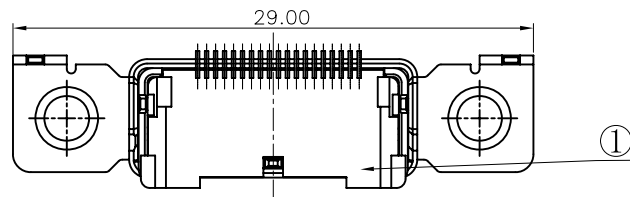
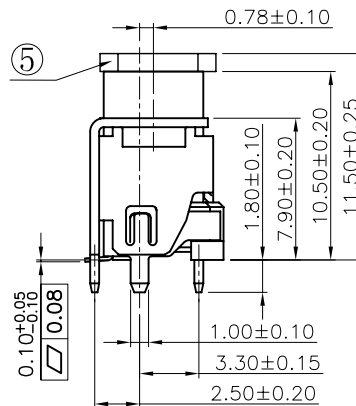
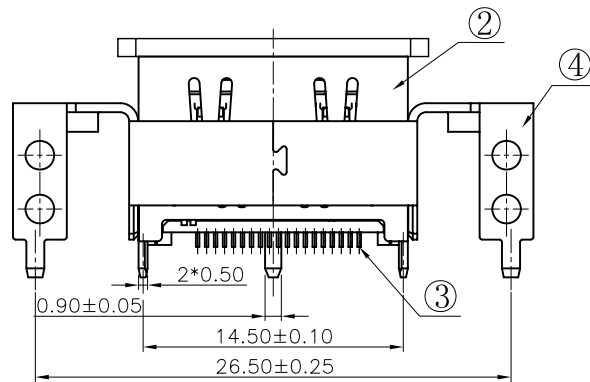
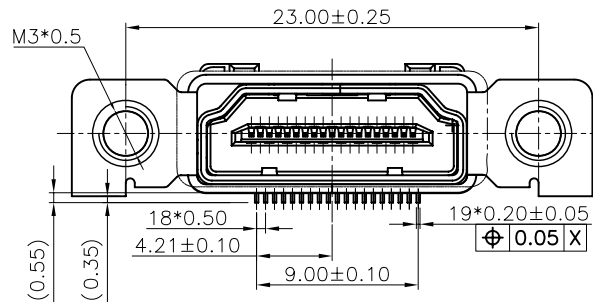
REV	ZONE	LTR	DESCRIPTION	DATE	REVISER	APPD
1.0			New Design	2011.11.10	Jack	Bill



Date code

DATE CODE:

06 07 06
 生产月份 | 生产日期 | 生产线别



ORDERING INFORMATION

2HE96 - 3 W6 K * - * A R - N - M - **
 (1) (2) (3) (4) (5) (6) (7) (8) (9) (10) (11)

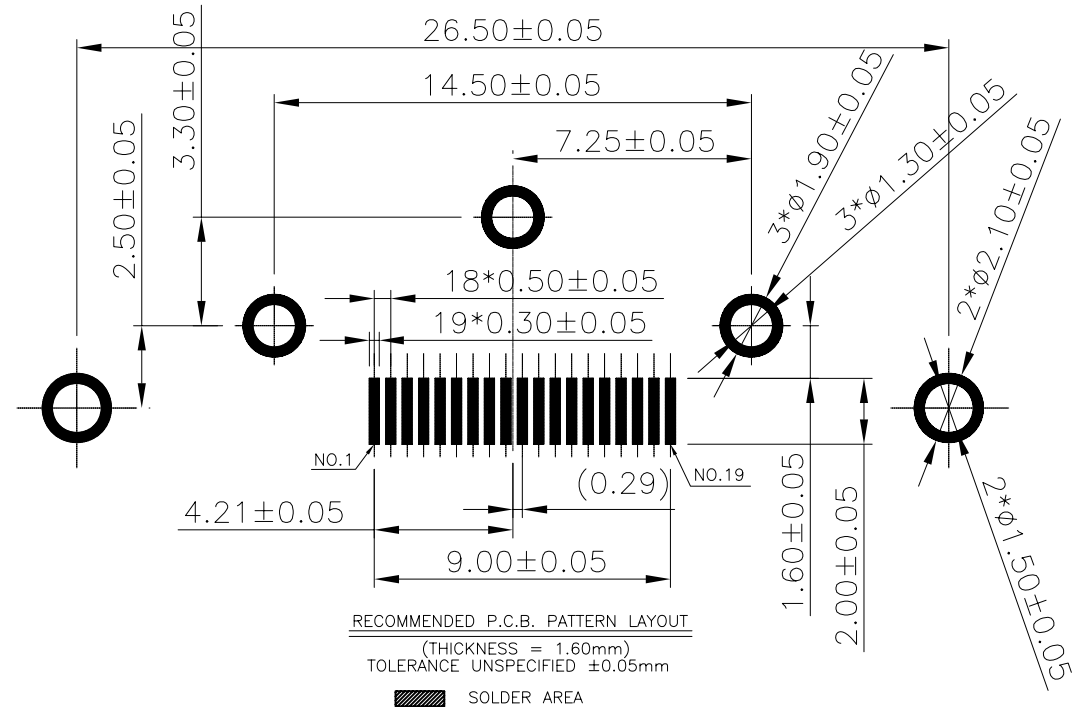
- SERIES NO.
HDMI CONNECTOR VERTICAL SMT TYPE SOCKET
- COLOR CODES
3: BLACK
- CONTACT PLATING:
W6: THE CONNECT AREA 30u" GOLD PLATED OVER NICKEL
SOLDED AREA 1.2u" GOLD PLATED OVER NICKEL
- SHELL CONSTRUCTION
K: METAL BRACKET WITH M3.0*0.5mm THROUGH HOLE
SOLDER TAIL LENGTH IS 1.80mm
- SHELL PLATING
W: MATTE TIN PLATED OVER NICKEL
N: NICKEL PLATED OVER ALL
- SUFFIX NO.1
B: WITHOUT LOGO
- SUFFIX NO.2
A: WITH DIRTYPROOF(Rectangle)AND BRACKET IS M3*0.5
- SUFFIX NO.3
R: TAPE REEL PACKING
- SUFFIX NO.4
N: WITHOUT DUMMY CONTACT
- SUFFIX NO.5
M: The BODY IS I/M STRUCTURE
- SUFFIX NO.6
CUSTOMER NO.

TOLERANCE UNSPECIFIED
 . . . ±0.05
 . . . ±0.10
 . . . ±0.15
 . . . ±0.20
 ANGLE ± 1'

Singatron Enterprise Co., Ltd.				
TITLE	HDMI RECEPTACLE VERTICAL SMT TYPE			
DWN	Jack	PART NO. 2HE96-3W6K*-*AR-N-M-**		
CHKD	Tiger	SCALE 1:1	UNIT: mm	①
APVD	Bill	SIZE: A3	SHEET: 1/2	REV: 1.0
CUSTOMER COPY				

RoHS COMPLIANCE

REV	ZONE	LTR	DESCRIPTION	DATE	REVISER	APPD
1.0			New Design	2011.11.10	Jack	Bill



NOTES:

1. MECHANICAL SPECIFICATION:
 - 1.1 INSERTION FORCE: 44.1N (4.5Kgf) Max.
 - 1.2 WITHDRAWAL FORCE: 9.8N (1.0Kgf) Min, 39.2N (4.0Kgf) Max .
2. ELECTRICAL SPECIFICATION:
 - 2.1 CONTACT CURRENT RATING: 0.5A (Min).
 - 2.2 VOLTAGE RATING: :40V AC (rms)
 - 2.3 WITHSTANDING VOLTAGE:
 - 500 VOLTS AC BETWEEN ADJACENT TERMINAL(UNMATE)
 - 300 VOLTS AC BETWEEN ADJACENT TERMINAL(MATE)
 - 2.4 INSULATION RESISTANCE:
 - 100 MOHM Min.(UNMATED); 10 MOHM Min(MATED).
 - 2.5 CONTACT RESISTANCE: 30 MILLIOHMS (Max).
3. ENVIRONMENTAL:
 - 3.1 OPERATING TEMPERATURE: -25°C TO +85°C

1	THERMOPLASTIC	DIRTYPROOF	5
1	COPPER ALLOY,T=0.50mm	BRACKET	4
19	COPPER ALLOY,T=0.20mm	CONTACT	3
1	COPPER ALLOY,T=0.50mm	SHELL	2
1	THERMOPLASTIC	INSULATOR	1
QTY'S	SPECIFICATION	PART	ITEM

TOLERANCE UNSPECIFIED	
±0.05	±0.10
±0.10	±0.15
±0.15	±0.20
±0.20	±1°
ANGLE	

Singatron Enterprise Co., Ltd.			
TITLE	HDMI RECEPTACLE VERTICAL SMT TYPE		
DWN	Jack	PART NO.2HE96-3W6K*-*AR-N-M**	
CHKD	Tiger	SCALE 1:1	UNIT: mm
APVD	Bill	SIZE: A3	SHEET: 2/2
REV: 1.0			
CUSTOMER COPY			