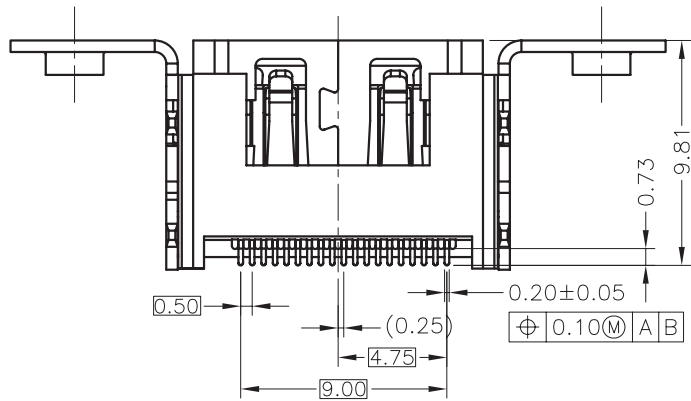
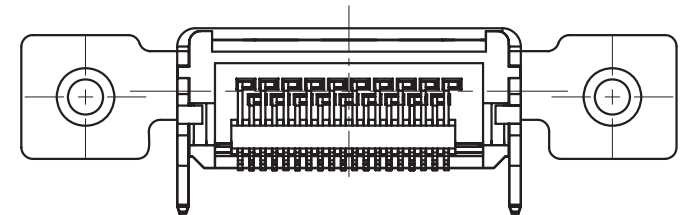
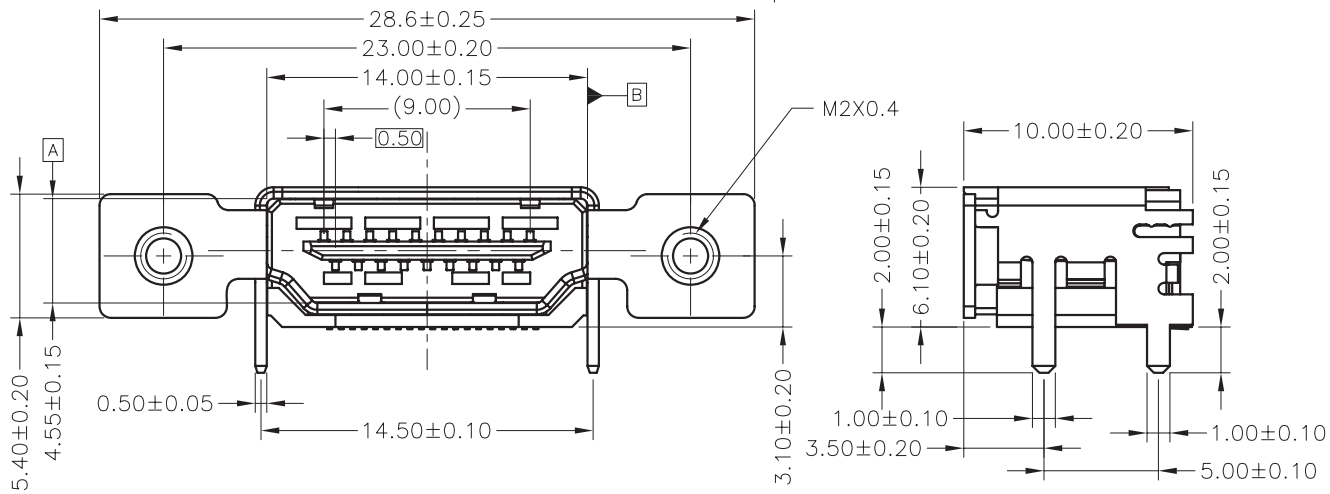
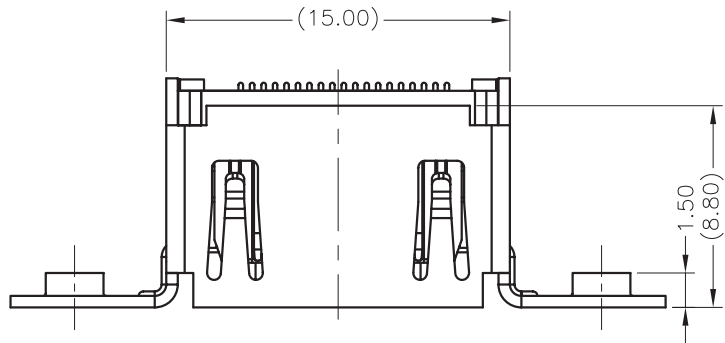


REV	ZONE	LTR	DESCRIPTION	DATE	REVISER	APPD



RoHS Compliant

MATERIAL	TOLERANCE UNLESS SPECIFIED . . . ± . . . ±0.20 . . . ±0.25 . . . ±0.30 . . . ± 2° ANGLE	SINGATRON (U.S.A.)	
			SCALE 1:1
FINISH	DRAWN	NAME	
	DESIGNER Michael 2011.02.0	HDMI RECEPTACLE SMT TYPE WITH WING LOW PROFILE	
	CHECKED Sky	DRAWING NO. 2HEU019S-32W2N-BD	
APPROVED	Dived	REVISION	1.0

A
B
C
D
E
F

1 2 3 4 5 6 7 8

1 2 3 4 5 6 7 8

REV	ZONE	LTR	DESCRIPTION	DATE	REVISER	APPD

A

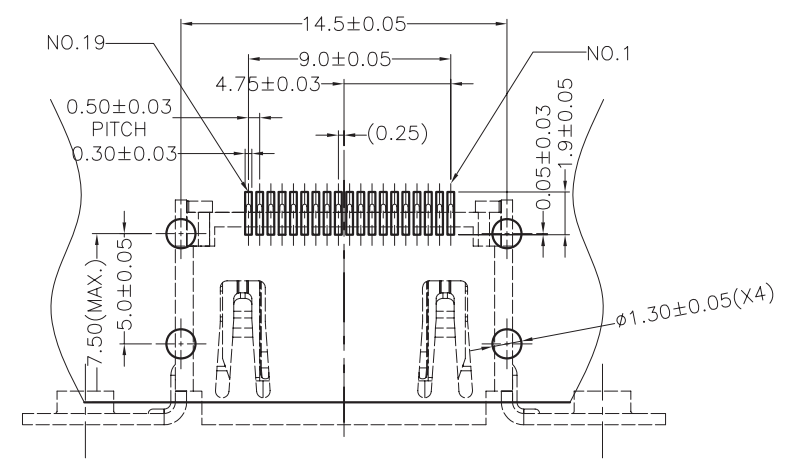
B

C

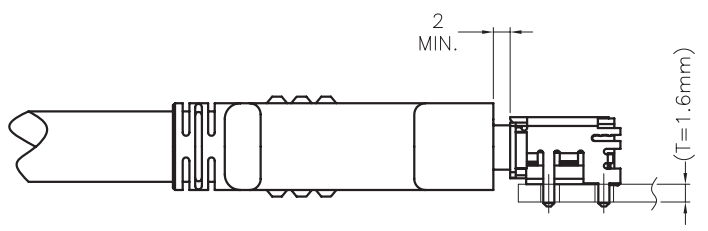
D

E

F



RECOMMENDED PCB LAYOUT (THICKNESS=1.6±0.15mm)



REFERENCE MOUNT DIMENSION

REMARKS:

- 1. MATERIAL:
 - 1.1 HOUSING: HIGH TEMPERATURE THERMOPLASTIC UL 94V-0 RATED
 - 1.2 CONTACT: COPPER ALLOY
- 2. PLATING:
 - 2.1 CONTACT: GOLD PLATED OVER NICKEL ON CONTACT AREA AND 100u" MIN. TIN PLATED OVER NICKEL ON SOLDER TAILS
 - 2.2 SHELL: SOLDERABLE NICKEL PLATED OR GOLD PLATED

RoHS Compliant

ORDERING INFORMATION

2HE U 019 S - 3 * W2 N- B D- *
 (1) (2) (3) (4) (5) (6) (7) (8) (9) (10) (11)

- 1. SERIES NO.
2HE: HDMI CONNECTOR
- 2. TAIL CONSTRUCTION TYPE
U: SMT TYPE
- 3. NUMBER OF PIN
019: 19 POSITIONS
- 4. CONTACT & CONNECTIONG TYPES:
S: SOCKET
- 5. COLOR CODES
3: BLACK
- 6. CONTACT PLATING:
0: GOLD FLASH OVER NICKEL
2: 15u" GOLD OVER NICKEL
3: 30u" GOLD OVER NICKEL
- 7: SHELL CONSTRUCTION
W2: LOW PROFILE, WITH WING AND TOP SPRING
SHELL TAIL IS T/H TYPE AND LENGTH IS 2.0mm WITH M2*0.40 MOUNTING HOLE
- 8: SHELL PLATING
N: SOLDERABLE NICKEL PLATED
4: GOLD FLASH PLATED
- 9: SUFFIX NO.1
B: WITHOUT LOGO
- 10: SUFFIX NO.2
D: HOUSING WITH PARTITION BOARD
- 11: SUFFIX NO.3
NONE: SHELL MATERIAL IS PHOSPHOR BRONZE
B: SHELL MATERIAL IS BRASS

MATERIAL 	TOLERANCE UNLESS SPECIFIED ± ±0.20 ±0.25 ±0.30 ±2°	SINGATRON (U.S.A.)	
	ANGLE	SCALE 1 1	UNIT mm
FINISH 	DRAWN	NAME HDMI RECEPTACLE SMT TYPE WITH WING LOW PROFILE	
	DESIGNER Michael 2011.02.08		
	CHECKED Sky	DRAWING NO. 2HEU019S-32W2N-BD	
APPROVED Dived	REV 1 0		