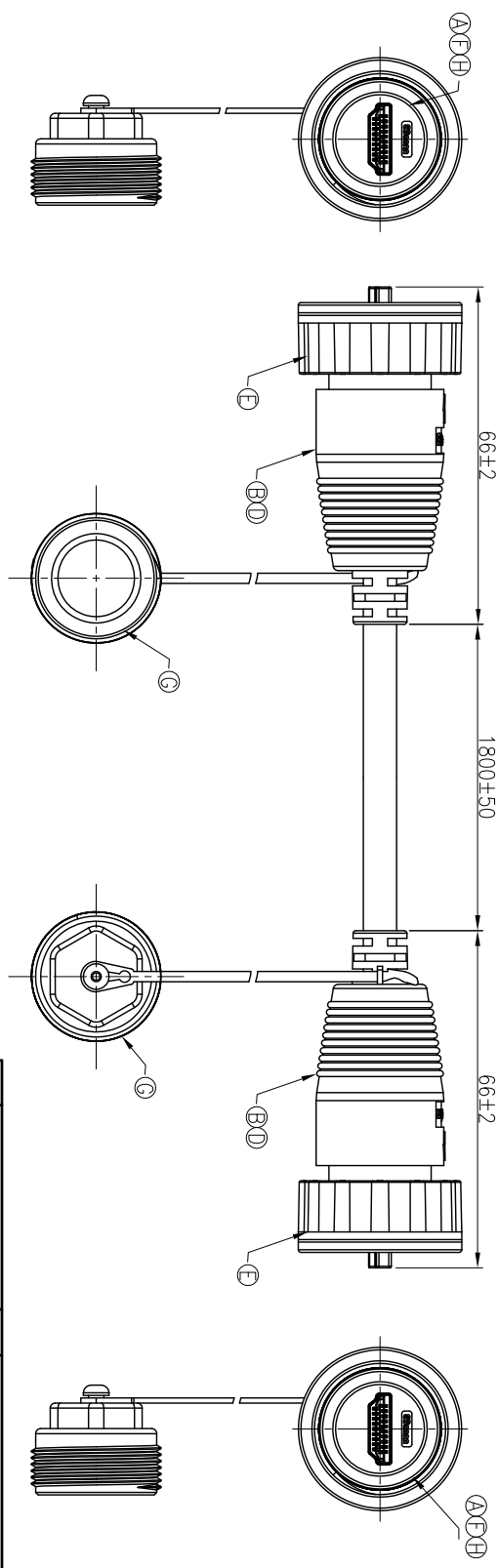
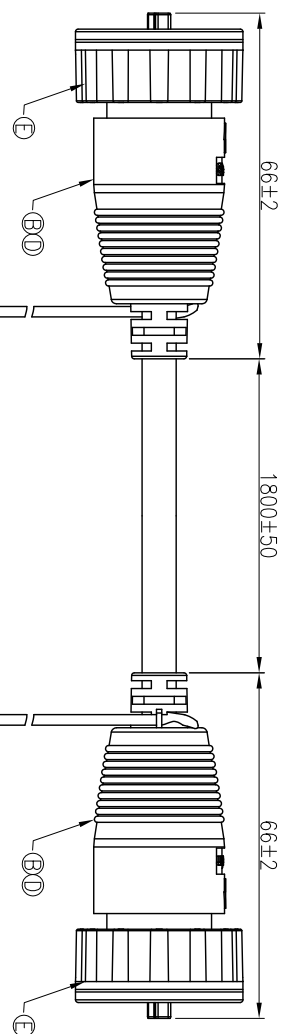
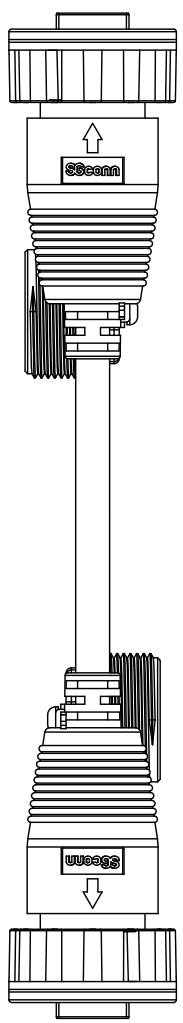


REV.	ECN NO. OR DESCRIPTION	REVISED	DATE
A	PDR NO.:T140423-2A	Horlen	2014.11.19



NOTES:  
1. ELECTRICAL CHARACTERISTICS:

- 1-1 CURRENT RATING: 0.5 AMPS.
- 1-2 VOLTAGE RATING: 30V.
- 1-3 CONTACT RESISTANCE: 3 Ohm Max.
- 1-4 INSULATION RESISTANCE: 10 MOhm Min. at 150VDC.(MATED)
- 1-5 BREAKDOWN VOLTAGE: 300 VAC PER MINUTE.(MATED)

- 2. ENVIRONMENTAL:
  - 2-1 OPERATING TEMPERATURE: -20°C TO +80°C.
  - 2-2 SEALING REQUIREMENTS: IP67.
- 3. FOR TECHNICAL DATA REFER TO YOUR LOCAL SINGATRON ELECTRONICS SALES OFFICE.
- 4. ALL DIMENSIONS ARE NOMINAL FOR REFERENCE ONLY UNLESS OTHERWISE STATED.
- 5. TO CONFORM TO SINGATRON HAZARDOUS SUBSTANCE FREE SPEC.
- 6. GREEN PRODUCT IDENTIFICATION LABEL ON PACKAGING: **GR PASS**.

H	BODY	2	PA66	BLACK
G	CAP	2	WATERPROOF CAP	BLACK
F	GASKET	2	SILICONE	BLACK
E	SCREW NUT	2	PA66	BLACK
D	OVER MOLD	2	PVC	BLACK
C	CABLE	1	[(1P*30AWG+D+AL+Trans.Mylor) <sup>4</sup> +1P*30AWG+5C*30AWG]+AL +B 005.5 UL20276	BLACK(PVC JACKET)
B	INNER MOLD	2	TPU	NATURAL
A	CONNECTOR	2	HDMI PLUG 19PIN	GOLD FLASH
NO	DESCRIPTION	QTY	MATERIAL	PLATING & COLOR
UNLESS OTHERWISE SPECIFIED TOLERANCES				
Singatron Enterprise Co., Ltd. 信管企業股份有限公司				
TITLE: HDMI PLUG A TYPE WITH CABEL				
DWN: Horlen PART NO.2HP3002-W19101H				
CHKD: JF SCALE 1:1 UNIT: mm				
APVD: Steve SIZE: A3 SHEET:1 OF 2 REV: A				
CUSTOMER COPY				

A  
B  
C  
D  
E  
F

6

7

8

X# 20-045-A

REV. A	ECN NO. PDR NO.:1140423-2A	DESCRIPTION	OR	DESCRIPTION	REVISED	DATE
					Harlen	2014.11.19

20	SHIELD	BRAID	20		
19	Hot Plug Detect	BLUE	19		
18	+5V Power	GREEN	18		
17	DDC/CEC Ground	PURPLE	17		
16	SDA	YELLOW	16		
15	SCL	ORANGE	15		
14	Reserved	WHITE	14		
13	CEC	RED	13		
12	TMDS Clock-	BLUE	12		
11	TMDS Clock Shield	DRAIN	11		
10	TMDS Clock+	WHITE	10		
9	TMDS Data0-	GREEN	9		
8	TMDS Data0 Shield	DRAIN	8		
7	TMDS Data0+	WHITE	7		
6	TMDS Data1-	RED	6		
5	TMDS Data1 Shield	DRAIN	5		
4	TMDS Data1+	WHITE	4		
3	TMDS Data2-	BROWN	3		
2	TMDS Data2 Shield	DRAIN	2		
1	TMDS Data2+	WHITE	1		
Conn.1		Signal Name		Conn.2	
CABLE					

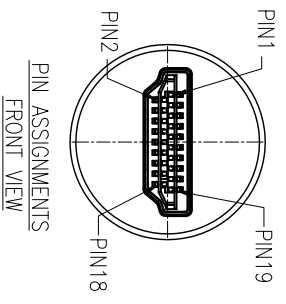
Twist (1P\*30AWG+D+AL+Trans.Mylar)

Twist (1P\*30AWG+D+AL+Trans.Mylar)

Twist (1P\*30AWG+D+AL+Trans.Mylar)

Twist (1P\*30AWG+D+AL+Trans.Mylar)

Conn.1/2



PIN ASSIGNMENTS  
FRONT VIEW

NO.	DESCRIPTION	QTY	MATERIAL	PLATING & COLOR
UNLESS OTHERWISE SPECIFIED TOLERANCES				
DECIMALS:	ANGLES:			
X : ±0.5	X : ±2°			
X.X : ±0.3	X.X : ±1°			
X.XX : ±0.2				
TITLE	HDMI PLUG A TYPE WITH CABEL			
DWN	Harlen	PART NO.2HP3002-W19101H		
CHKD	JF	SCALE 1:1	UNIT: mm	
APVD	Steve	SIZE: A3	SHEET: 2 OF 2	REV: A

CUSTOMER COPY