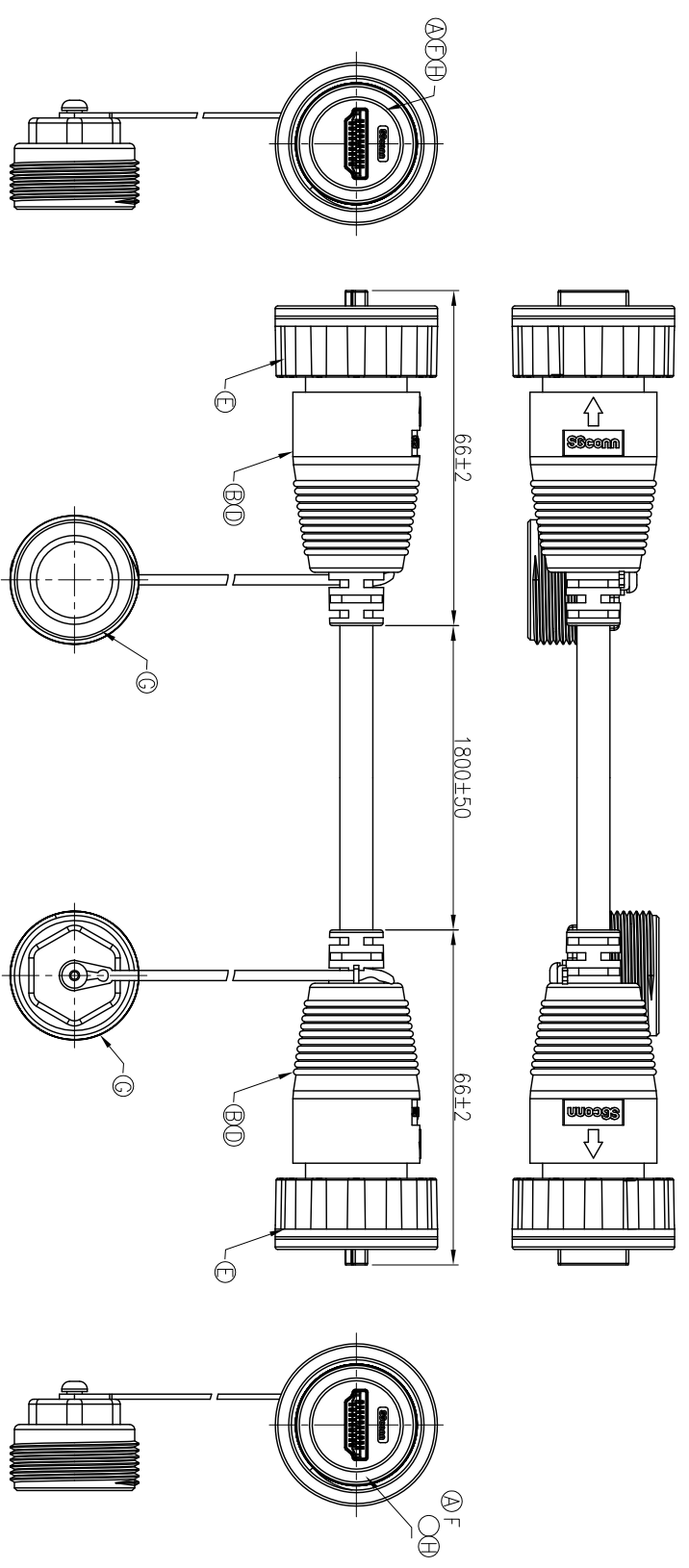


REV.	ECN NO OR DESCRIPTION	REVISED	DATE
A	ECN NO.:T140423-2B-001-C	Harlen	2014.11.19



NOTES:

- ELECTRICAL CHARACTERISTICS:
 - 1-1 CURRENT RATING: 0.5 AMPS.
 - 1-2 VOLTAGE RATING: 30V.
 - 1-3 CONTACT RESISTANCE: 3 Ohm Max.
 - 1-4 INSULATION RESISTANCE: 10 Mohm Min. at 150VDC.(MATED)
 - 1-5 BREAKDOWN VOLTAGE: 300 VAC PER MINUTE.(MATED)
- ENVIRONMENTAL:
 - 2-1 OPERATING TEMPERATURE: -20°C TO +80°C.
 - 2-2 SEALING REQUIREMENTS: IP67.
- FOR TECHNICAL DATA REFER TO YOUR LOCAL SINGATRON ELECTRONICS SALES OFFICE.
- ALL DIMENSIONS ARE NOMINAL FOR REFERENCE ONLY UNLESS OTHERWISE STATED.
- TO CONFORM TO SINGATRON HAZARDOUS SUBSTANCE FREE SPEC.
- GREEN PRODUCT IDENTIFICATION LABEL ON PACKAGING: **GR-PASS**.

NO	DESCRIPTION	QTY	MATERIAL	PLATING & COLOR
H	BODY	2	PA66	BLACK
G	CAP	2	WATERPROOF CAP	BLACK
F	GASKET	2	SILICONE	BLACK
E	SCREW NUT	2	PA66	BLACK
D	OVER MOLD	2	PVC	BLACK
C	CABLE	1	[(1P*30AWG+D+AL+M/G)*5+4C*30AWG]4A+L+B 006.0 U120276 (REV1.4)	BLACK(PVC JACKET)
B	INNER MOLD	2	TPU	NATURAL
A	CONNECTOR	2	HDMI PLUG 19PIN WITH SHELL	GOLD FLASH
NO	DESCRIPTION	QTY	MATERIAL	PLATING & COLOR

UNLESS OTHERWISE SPECIFIED TOLERANCES

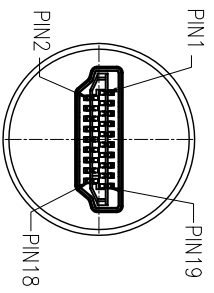
Singatron Enterprise Co., Ltd.
信音企業股份有限公司

DECIMALS:	ANGLES:	TITLE
X :±0.5	X :±2°	HDMI PLUG A TYPE WITH CABEL
X.X :±0.3	X.X :±1°	Part No. 2HP3002-W19103H
X.XX :±0.2		Scale 1:1
		Unit: mm
		Sheet: 1 of 2
		Rev: A

CUSTOMER COPY

REV.	ECN NO. OR DESCRIPTION	REVISED	DATE
A	ECN NO.:T140423-2B-001-C	Horlen	2014.11.19

NO	DESCRIPTION	QTY	MATERIAL	PLATING & COLOR
20	SHIELD			BRAID
19	Hot Plug Detect			BLUE
18	+5V Power			GREEN
17	DDC/CEC Ground			PURPLE
16	SDA			YELLOW
15	SCL			ORANGE
14	Reserved			WHITE
13	CEC			RED
12	TWDS Clock-			BLUE
11	TWDS Clock Shield			DRAIN
10	TWDS Clock+			WHITE
9	TWDS Datto-			GREEN
8	TWDS Datto0 Shield			DRAIN
7	TWDS Datto0+			WHITE
6	TWDS Datto1-			RED
5	TWDS Datto1 Shield			DRAIN
4	TWDS Datto1+			WHITE
3	TWDS Datto2-			BROWN
2	TWDS Datto2 Shield			DRAIN
1	TWDS Datto2+			WHITE



PIN ASSIGNMENTS
FRONT VIEW

Conn.1/2

Pin Out

NO	DESCRIPTION	QTY	MATERIAL	PLATING & COLOR
UNLESS OTHERWISE SPECIFIED TOLERANCES:				
DECIMALS: X :±0.5 X :±2°				
ANGLES: X:X :±0.3 X:X :±1°				
X:XX :±0.2				
TITLE: HDMI PLUG A TYPE WITH CABEL				
DWN: Horlen				
CHKD: JF				
APVD: Steve				
PART NO.:2HP3002-W19103H				
SCALE: 1:1				
UNIT: mm				
SIZE: A3				
SHEET: 2 OF 2				
REV: A				

CUSTOMER COPY