

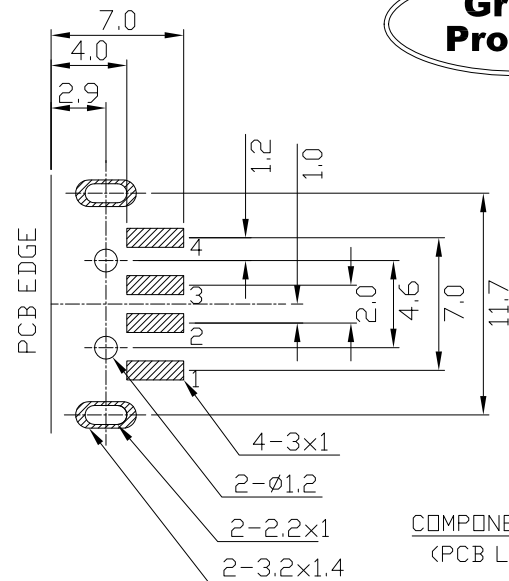
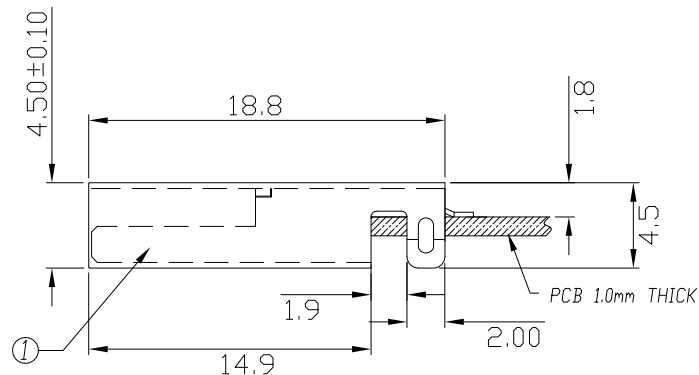
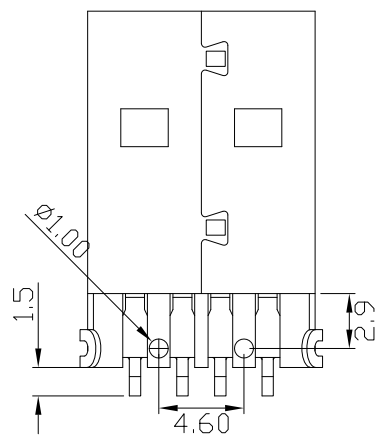
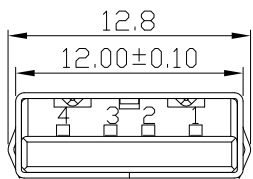
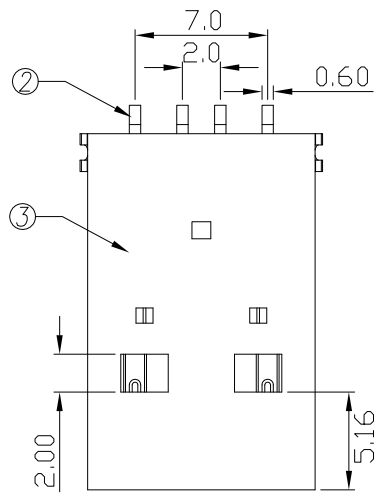
1 2 3 4 5 6 7 8

REV	ZONE	REVISION	DATE

Specification:

Contact Resistance: 30m Ohm Max.
 Insulation Resistance: 1000M Ohm Min. At 500VDC.
 Rated Voltage And Current: 1.5A At 250VAC Minimum.
 Dielectric Withstanding Voltage: 500V AC (rms) for 1 Minute(Rev. 2.0)
 Durability (Life Test): 1500 Cycles
 Insertion Force: 35 Newton Maximum.
 Extraction Force: 10 Newton Minimum.

Green Product



COMPONENT SIDE
(PCB LAYOUT)

NO.	NAME	MATERIAL	FINISH	Q'TY	REMARK
1	HOUSING	NYLON PA9T G.F.	BLACK	1	
2	TERMINAL	BRASS E-H T:0.25	GOLD/TIN PLATED	4	Gold:30u"; Ni:40~60u"; TIN:120u" (100% pure Tin of lead free plating)
3	SHELL	BRASS T:0.3	NICKEL PLATED	1	Ni:80~120u"

Singatron Enterprise Co., Ltd.

TITLE	USB A TYPE PLUG PCB FLAT 4 PIN SMT			
DWN	TINA	PART NO.	2KS-001MSK1A1NB2L	
CHKD	21-04-17	SCALE	1:1	UNIT: mm
APVD		SIZE: A3	SHEET: 1 OF 1	REV: A0

TOLERANCE

.X ±0.38
 .X ±0.25
 .XX ±0.13
 .XXX ±0.05

CUSTOMER COPY

1 2 3 4 5 6 7 8