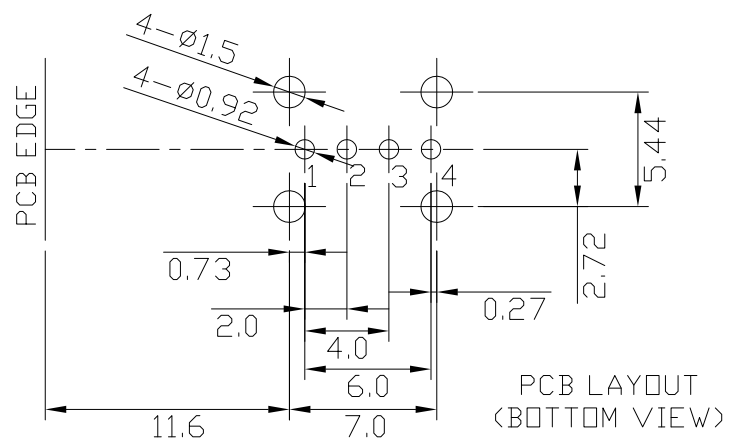
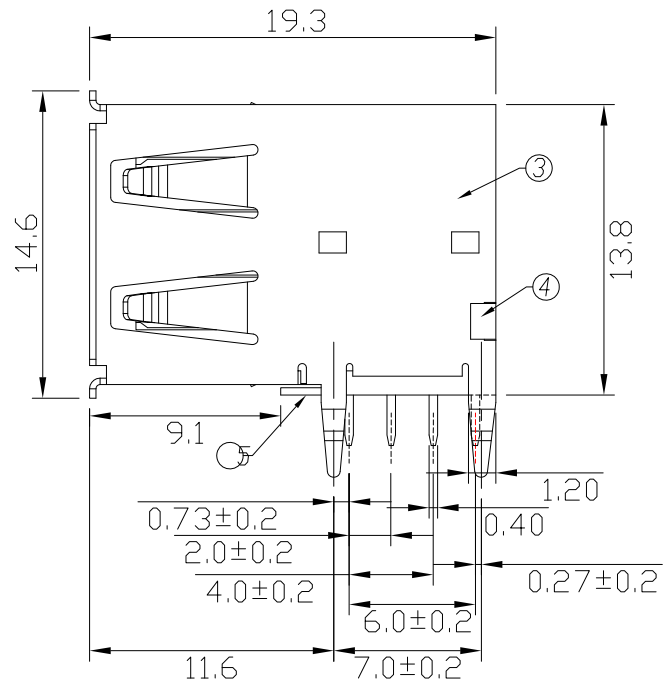
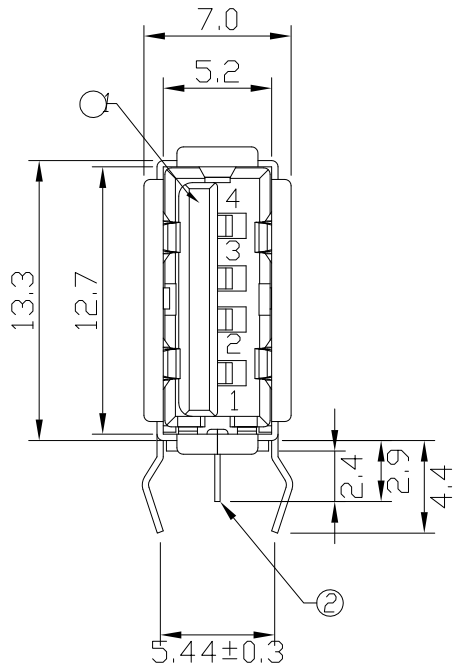


REV	ZONE	REVISION	DATE

Specification:
 Contact Resistance: 30m Ohm Max.
 Insulation Resistance: 1000M Ohm Min. At 500VDC.
 Rated Voltage And Current: 1.5A At 250VAC Minimum.
 Dielectric Withstanding Voltage: 750V AC (rms) for 1 Minute(Rev. 1.1)
 Durability (Life Test): 1500 Cycles
 Insertion Force: 35 Newton Maximum.
 Extraction Force: 10 Newton Minimum.



Green Product

NO.	NAME	MATERIAL	FINISH	Q'TY	REMARK
1	HOUSING	PBT G.F.	BLACK	1	
2	TERMINAL	PHOS. BRONZE T:0.25	GOLD/TIN PLATED	4	Gold:1~3u"; NI:40~60u"; TIN:120u" (100% pure Tin of lead free plating)
3	SHELL	BRASS T:0.3	NICKEL PLATED	1	
4	REAR SHELL	SPCC T:0.3	NICKEL PLATED	1	
5	BOTTOM COVER	PBT G.F.	BLACK	1	

Singatron Enterprise Co., Ltd.			
TITLE	USB A TYPE UPRIGHT SOCKET		
DWN	INA 02-02-10	PART NO. 2KS-001VANBOL	
CHKD	SCALE 1:1	UNIT: mm	↻ ↺
APVD	SIZE: A3	SHEET: 1 OF 1	REV: A0
CUSTOMER COPY			

X. ±0.38
 .X ±0.25
 .XX ±0.13
 .XXX ±0.05