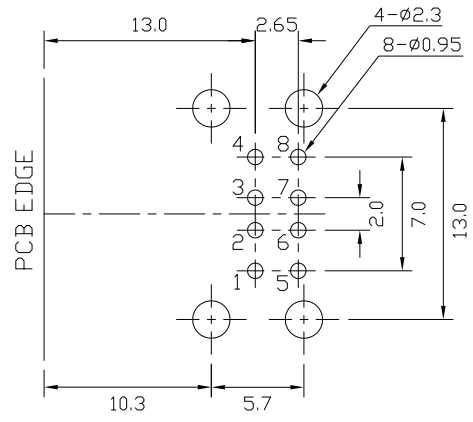
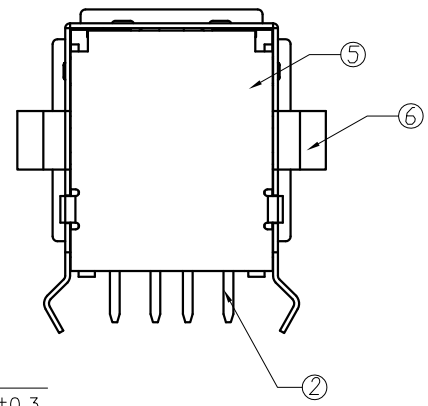
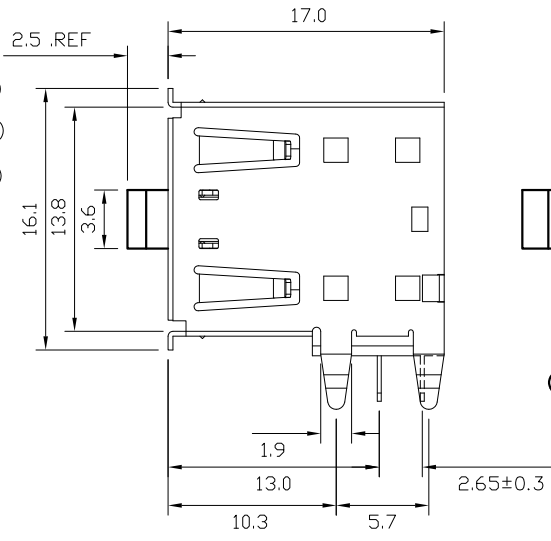
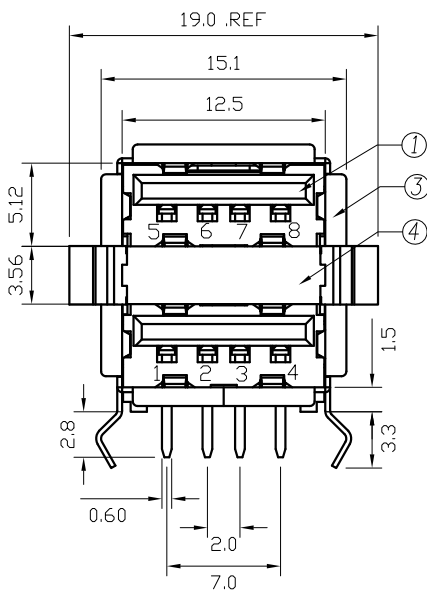


REV	ZONE	REVISION	DATE



PCB LAYOUT
(BOTTOM VIEW)

Specification:

- Contact Resistance: 30m Ohm Max.
- Insulation Resistance: 1000M Ohm Min. At 500VDC.
- Rated Voltage And Current: 1.5A At 250VAC Minimum.
- Dielectric Withstanding Voltage: 500V AC (rms) for 1 Minute(Rev. 2.0).
- Durability (Life Test): 1500 Cycles.
- Insertion Force: 35 Newton Maximum.
- Extraction Force: 10 Newton Minimum.



NO.	NAME	MATERIAL	FINISH	Q'TY	REMARK
1	HOUSING	PBT G.F.	WHITE	1	
2	PIN TERM.	PHOS. BRONZE,T:0.25	GOLD-TIN PLATED	8	Gold:30u", Ni:40-60u", TIN:20u" (100% pure Tin of lead free plating)
3	SHELL	BRASS,T:0.3	NICKEL PLATED	1	NI:80~120u"
4	SPRING CLIP	BRASS,T:0.3	NICKEL PLATED	1	NI:80~120u"
5	REAR SHELL	SPCC,T:0.3	NICKEL PLATED	1	NI:80~120u"
6	SPRING SHIELD	STAINLESS,T:0.1		1	

Singatron Enterprise Co., Ltd.

TITLE	DUAL USB A TYPE 8 PIN			
DWN	TINA	PART NO.	2KS-002SA2NW2L	
CHKD	15-01-08	SCALE	1:1	UNIT: mm
APVD		SIZE	A3	SHEET: 1 OF 1
REV: A0				
CUSTOMER COPY				

TOLERANCE
X. ±0.38
.X ±0.25
.XX ±0.13
.XXX ±0.05