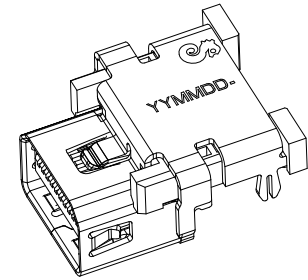
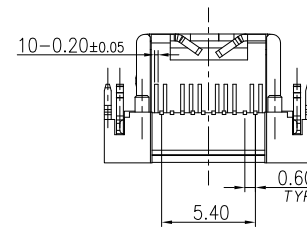
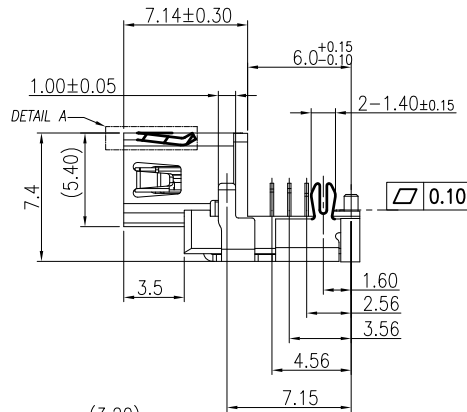
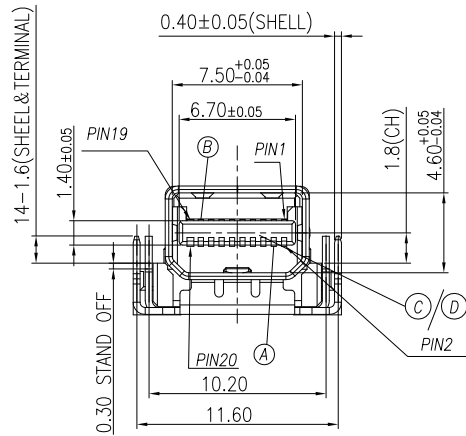
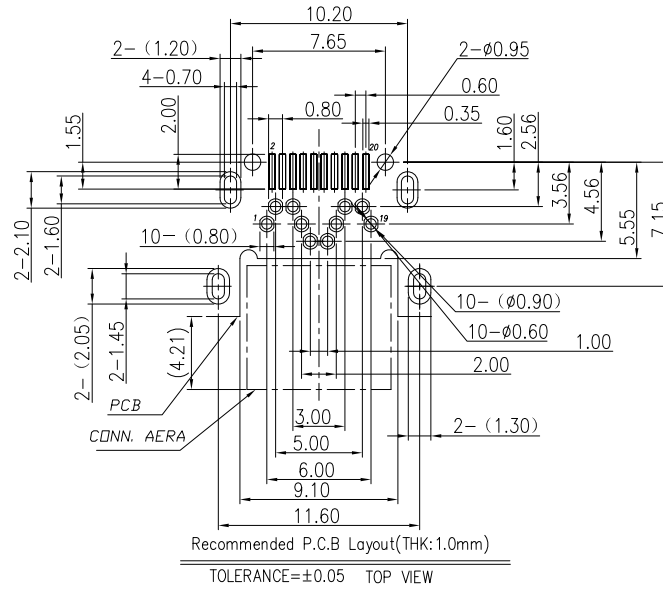
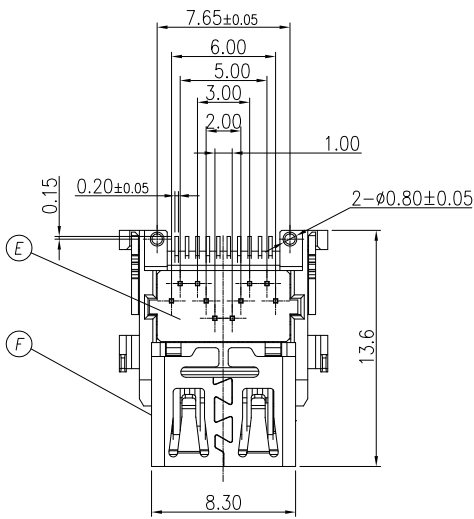


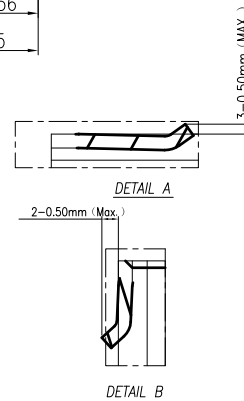
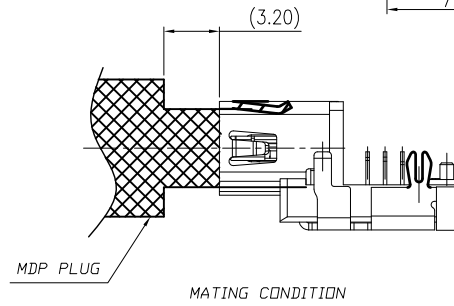
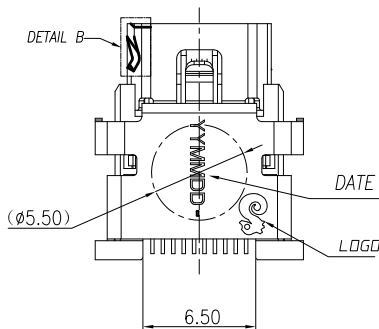
REV.	ECN NO OR DESCRIPTION	REVISED	DATE
A	PDR NO.T121123-3A	ERIC-WU	2014.06.05

SPECIFICATIONS:

- ELECTRICAL CHARACTERISTICS:
 - CONTACT RESISTANCE: 100mΩ MAX.(INITIAL)(EIA-364-23).
 - DIELECTRIC WITHSTANDING VOLTAGE: 500V AC FOR 1 MINUTE.
 - INSULATION RESISTANCE: 100MΩ AT 500 VDC (ANSI/EIA 364-21, Method 302)
- MECHANICAL CHARACTERISTICS:
 - INSERTION FORCE : 4.5 Kg Max.
 - WITHDRAWAL FORCE : 0.5 Kg~4.0kg
- LIFE TEST: 10,000 CYCLES MIN.
- OTHER GENERAL SPEC. TO REFER "2LB3001-000111F SPEC".
- TO CONFORM TO SINGATRON HAZARDOUS SUBSTANCE FREE SPEC.
- HALOGEN FREE PRODUCT IDENTIFICATION MARK ON JACK:
- HALOGEN FREE PRODUCT IDENTIFICATION LABEL ON PACKAGING:
- FOR REFLOW SOLDERING LEAD-FREE PROCESS.
- DATE : YYMMDD-
- PACKAGING : TRAY



3D DRAWING



F	SHELL	1	STAINLESS STEEL 0.40T	Ni 60u"(Min)
E	COVER	1		
D	BOTTOM-MOLDING	1	HIGH TEMP.THERMOPLASTIC UL 94V-0	BLACK
C	UP-MOLDING	1		
B	BOTTOM TERMINAL	10	COPPER ALLOY 0.20T	GOLD FLASH PLATING ON CONTACT AREA MATT TIN 100uIN MIN ON SOLDER TAIL AREA OVERALL 50uIN NICKEL UNDER PLATING
A	UP TERMINAL	10	COPPER ALLOY 0.20T	
NO	DESCRIPTION	QTY	MATERIAL	PLATING & COLOR
UNLESS OTHERWISE SPECIFIED TOLERANCES		Singatron Enterprise Co., Ltd. 信音企業股份有限公司		
DECIMALS: ANGLES:		TITLE: Lightning Bolt (20PIN)		
X	:±0.5	X	:±2'	DWN ERIC PART NO.2LB3001-000111F
X.X	:±0.3	X.X	:±1'	CHKD BOYE SCALE 1:1 UNIT: mm
X.XX	:±0.2			APVD MAX SIZE: A3 SHEET:1 OF 1 REV:A
CUSTOMER COPY				