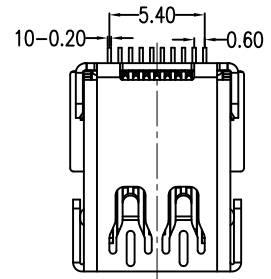


| REV. | ECN.NO. | DATE |
|------|------------------------------------|-----------|
| A | RELEASED | 06/13/10 |
| C | Modifying material | 09/24-'13 |
| D | Modifying Layout PIN Definition | 11/19-'13 |

Unit:mm

| Part NO. | Dim A | P.C.B Thickness |
|-----------------|-----------|-----------------|
| 2MDP-020-R32-10 | 2.15~2.30 | 1.20 |
| 2MDP-020-R32-11 | 3.10 | 1.60 |



| Top Row | | | Bottom Row | | |
|---------|-------------|--------------|------------|-------------|----------------|
| Pin NO. | Signal Type | Pin Name | Pin NO. | Signal Type | Pin Name |
| 1 | GND | GND | 2 | In | HotPlug Detect |
| 3 | Out | ML_Lane 0(p) | 4 | CONFIG | CONFIG1 |
| 5 | Out | ML_Lane 0(n) | 6 | CONFIG | CONFIG2 |
| 7 | GND | GND | 8 | GND | GND |
| 9 | Out | ML_Lane 1(p) | 10 | Out | ML_Lane 3(p) |
| 11 | Out | ML_Lane 1(n) | 12 | Out | ML_Lane 3(n) |
| 13 | GND | GND | 14 | GND | GND |
| 15 | Out | ML_Lane 2(p) | 16 | I/O | AUX_CH(p) |
| 17 | Out | ML_Lane 2(n) | 18 | I/O | AUX_CH(n) |
| 19 | GND | GND | 20 | PWR Out | DP_PWR |

NOTES:

***Material**

Body: LCP UL94V-0 Color:Black
 Insert(Molding): LCP UL94V-0 Color:Black
 Retainer: LCP UL94V-0 Color:Black
 Contact: Phosphor Bronze;
 Plating: Au plating on contact area;
 Sn(100u" Min.) plating on solder tail;
 Ni(40u" Min.) underplating overall.
 Shell: Brass;
 Plating: Ni(50u" Min.) Plating .

***Mechanical**

Insertion Force: 4.5Kg Max
 Withdrawal Force: 1.0~4.0Kg Min
 Durability: 10000 Cycles

***Electrical Specification**

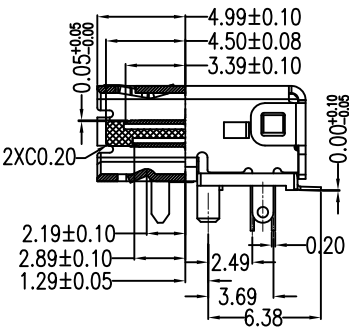
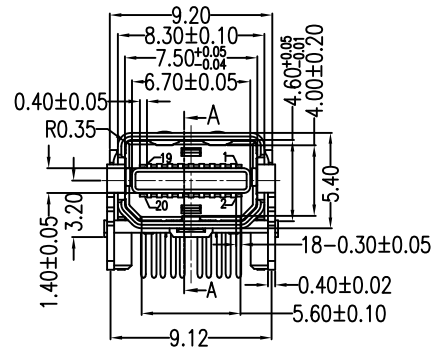
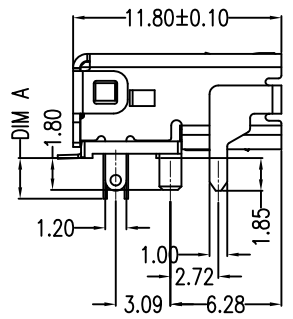
Current Rating: 0.5 Ampere per contact
 Contact Resistance: 30 mΩ max.
 Insulation Resistance: 100MΩ Min
 Dielectric Withstanding Voltage: 500V AC Min

***Environmental**

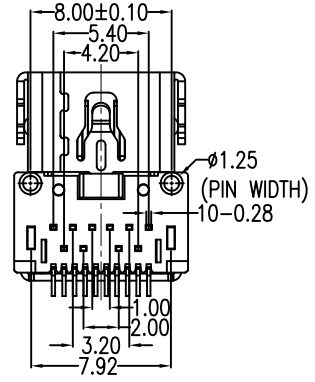
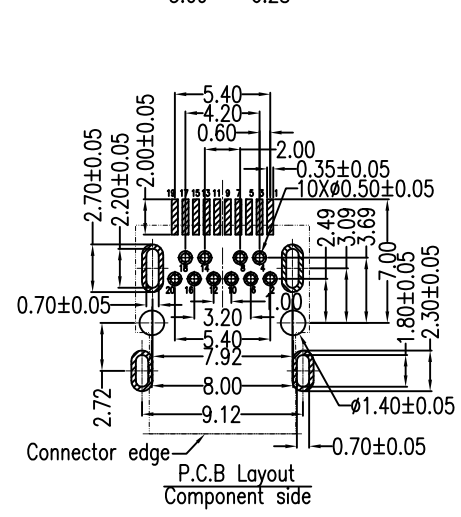
Operating Temperature: -40°C to +85°C.

***Part Number:**

2MDP-020-R32-10
 0:DIP(2.3)+SMT(Height 3.2)
 1:DIP(3.1)+SMT(Height 3.2)
 Au F:>0.8u" 5:15u" 3:30u"
 Number of contacts
 Mini Displayport Receptacle



Section A-A



| | |
|---|--------------|
| Tolerance Unless Otherwise Specified | .X ~ ±0.38 |
| | .XX ~ ±0.25 |
| | .XXX ~ ±0.20 |
| Angle | ~ ± 3° |

| | | | |
|--------------------------------|---|----------|------------------------|
| Singatron Enterprise Co., Ltd. | | | |
| TITLE | Mini Displayport Receptacle DIP+SMT (JAE 3.2) | | |
| DWN | MAY 11/19-'13 | PART NO. | 2MDP-020-R32-10 |
| CHKD | SHARON 11/19-'13 | SCALE | 1:1 UNIT: mm |
| APVD | JASON 11/20-'13 | SIZE | A3 SHEET:1 OF 1 REV: D |
| CUSTOMER COPY | | | |