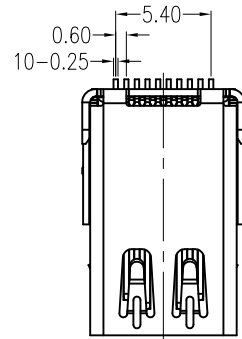


REV.	ECN.NO.	DATE
A	RELEASED	06/13-'10
C	Modifying material	09/24-'13
D	Modifying P.C.B Thickness	10/14-'14

Unit:mm

Part NO.	Dim A	P.C.B Thickness
2MDP-020-R32-21	3.10	2.50
2MDP-020-R32-20	2.15~2.30	1.60



Top Row			Bottom Row		
Pin NO.	Signal Type	Pin Name	Pin NO.	Signal Type	Pin Name
1	GND	GND	2	In	HotPlug Detect
3	Out	ML_Lane 0(p)	4	CONFIG	CONFIG1
5	Out	ML_Lane 0(n)	6	CONFIG	CONFIG2
7	GND	GND	8	GND	GND
9	Out	ML_Lane 1(p)	10	Out	ML_Lane 3(p)
11	Out	ML_Lane 1(n)	12	Out	ML_Lane 3(n)
13	GND	GND	14	GND	GND
15	Out	ML_Lane 2(p)	16	I/O	AUX_CH(p)
17	Out	ML_Lane 2(n)	18	I/O	AUX_CH(n)
19	GND	GND	20	PWR Out	DP_PWR

NOTES:

***Material**

Body: LCP UL94V-0 Color:Black
 Insert(Molding): LCP UL94V-0 Color:Black
 Retainer: LCP UL94V-0 Color:Black
 Contact: Phosphor Bronze;
 Plating: Au plating on contact area;
 Sn(100u" Min.) plating on solder tail;
 Ni(40u" Min.) underplating overall.
 Shell: Brass;
 Plating: Ni(50u" Min.) Plating .

***Mechanical**

Insertion Force: 4.5Kg Max
 Withdrawal Force: 1.0~4.0Kg Min
 Durability: 10000 Cycles

***Electrical Specification**

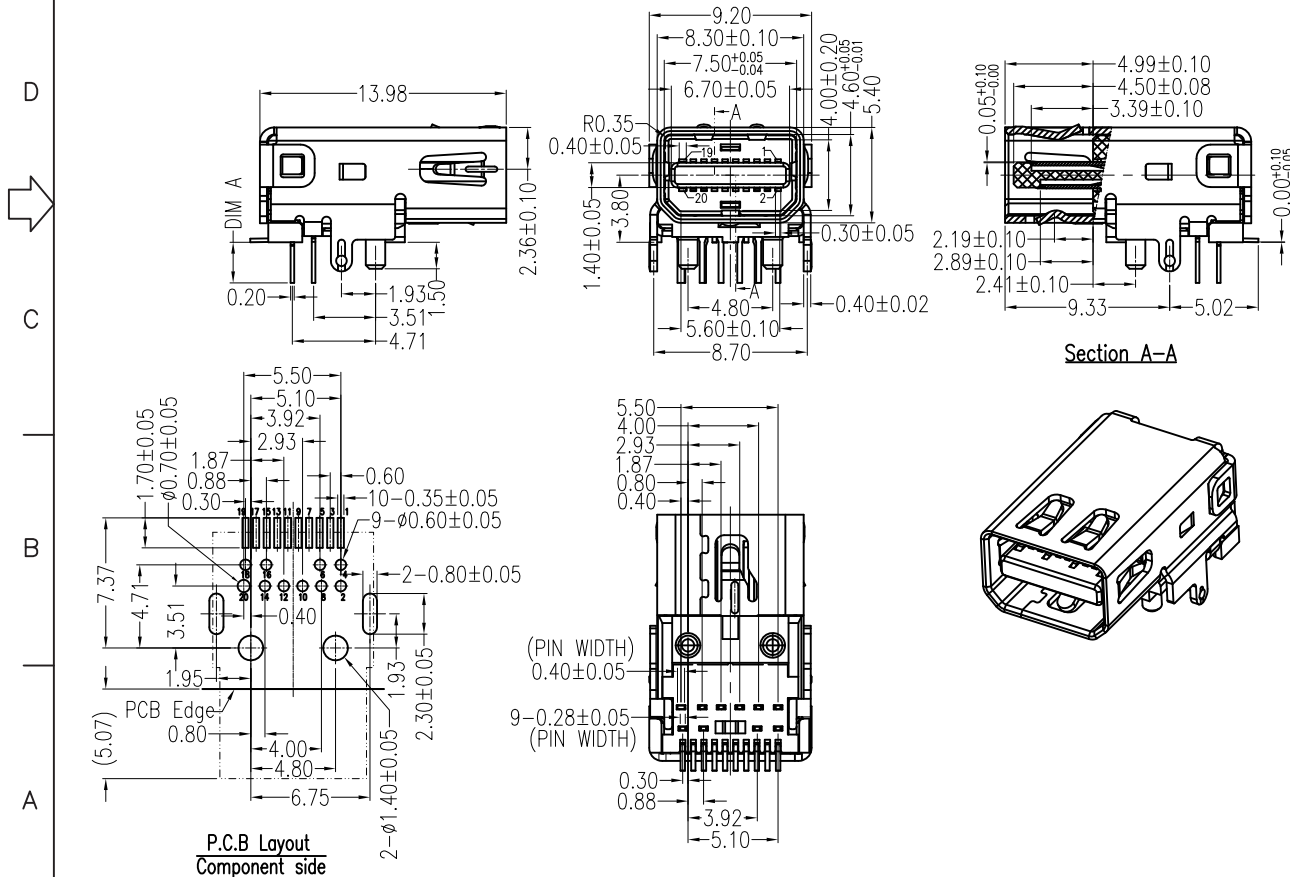
Current Rating: 0.5 Ampere per contact
 Contact Resistance: 30 mΩ max.
 Insulation Resistance: 100MΩ Min
 Dielectric Withstanding Voltage: 500V AC Min

***Environmental**

Operating Temperature: -40°C to +85°C.

***How To Order:**

2MDP-020-R32-20
 1: DIP(3.1)+SMT(Height 3.8)
 0: DIP(2.15~2.3)+SMT(Height 3.8)
 Au F:>0.8u" 5:15u" 3:30u"
 Number of contacts
 Mini Displayport Receptacle



Tolerance Unless Otherwise Specified	
.X ~ ±0.35	
.XX ~ ±0.25	
.XXX ~ ±0.15	
Angle ~ ± 3°	

Singatron Enterprise Co., Ltd.				
TITLE	Mini Displayport Receptacle DIP+SMT (APPLE 3.8)			
DWN	Shantung 10/14-'14	PART NO.	2MDP-020-R32-2x	
CHKD	SHANON 10/14-'14	SCALE	1:1	UNIT: mm
APVD	FABON 10/14-'14	SIZE	A3	SHEET: 1 OF 1 REV: D
CUSTOMER COPY				