

REV.	ECN.NO.	DATE
A	RELEASED	05/14-'09
G	Modifying P.C.B Thickness	10/14-'14
H	Modify View	02/23-'17
H1	Modify View	02/23-'18

NOTES:

***Material**

Body: LCP UL94V-0 Color:Black
 Insert(Molding): LCP UL94V-0 Color:Black
 Retainer: LCP UL94V-0 Color:Black
 Contact: Phosphor Bronze;
 Plating: Au plating on contact area;
 Sn(100u" Min.) plating on solder tail;
 Ni(50u" Min.) underplating overall.
 Shell: Brass;
 Plating: Ni(50u" Min.) Plating .

***Mechanical**

Insertion Force: 4.5Kg Max
 Withdrawal Force: 1.0~4.0Kg Min
 Durability: 10000 Cycles

***Electrical Specification**

Current Rating: 0.5 Ampere per contact
 Contact Resistance: 30 mΩ max.
 Insulation Resistance: 100MΩ Min
 Dielectric Withstanding Voltage: 500V AC Min

***Environmental**

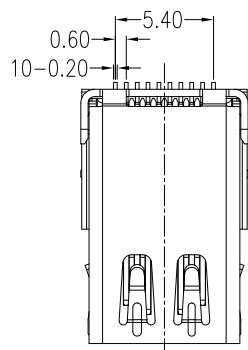
Operating Temperature: -40°C to +85°C.

***How To Order:**

2MDR-20F1L1PH 4

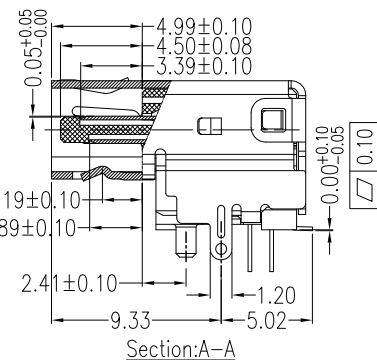
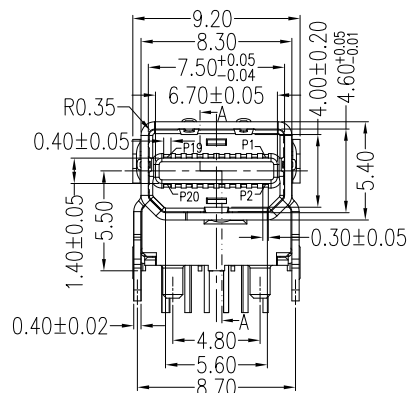
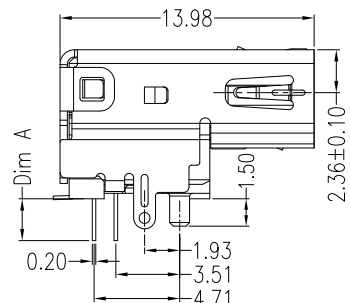
- 4:Tube,5:Reel
- BLANK:NO Mark
- H:Halogen Free+RoHS-Compliance
- P:Phosphor Bronze
- 1:Black
- L:LCP
- 1:DIP(2.3)+SMT 2:DIP(3.1)+SMT
- Au A:>0.8u" D:15u" F:30u"
- Number of contacts
- Mini Displayport Receptacle

Top Row			Bottom Row		
Pin NO.	Signal Type	Pin Name	Pin NO.	Signal Type	Pin Name
1	GND	GND	2	In	HotPlug Detect
3	Out	ML_Lane 0(p)	4	CONFIG	CONFIG1
5	Out	ML_Lane 0(n)	6	CONFIG	CONFIG2
7	GND	GND	8	GND	GND
9	Out	ML_Lane 1(p)	10	Out	ML_Lane 3(p)
11	Out	ML_Lane 1(n)	12	Out	ML_Lane 3(n)
13	GND	GND	14	GND	GND
15	Out	ML_Lane 2(p)	16	I/O	AUX_CH(p)
17	Out	ML_Lane 2(n)	18	I/O	AUX_CH(n)
19	GND	GND	20	PWR Out	DP_PWR

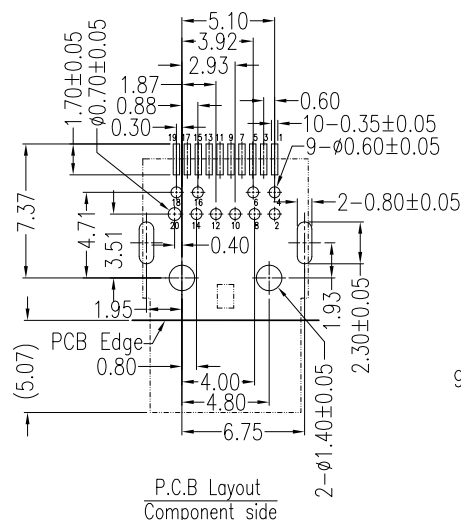
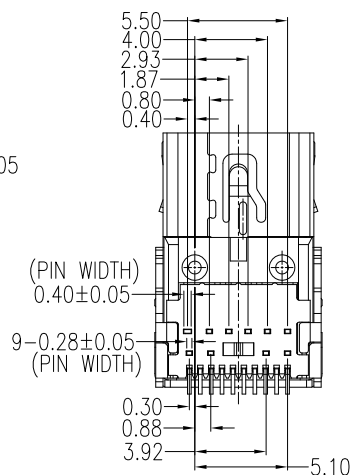
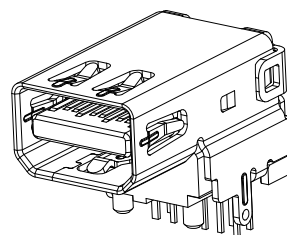


Unit:mm

Part NO.	Dim A	P.C.B Thickness
2MDR-20F1L1PH4	2.15~2.30	1.60
2MDR-20F2L1PH4	3.10	2.50



Section:A-A



P.C.B Layout
Component side

Modif View

Tolerance Unless Otherwise Specified	
.X	~ ±0.35
.XX	~ ±0.25
.XXX	~ ±0.15
Angle	~ ± 3°

Singatron Enterprise Co., Ltd.

TITLE	Mini Displayport Receptacle DIP+SMT (APPLE 5.5) No Mark
DWN	Ares03/07-'17 PART NO. 2MDR-20F1L1PH4
CHKD	Rosh09/08-'17 SCALE 1:1 UNIT: mm
APVD	Roger03/16-'17 SIZE: A3 SHEET:1 OF 1 REV: H1

CUSTOMER COPY