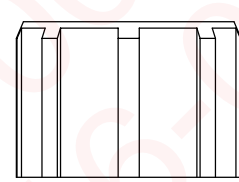
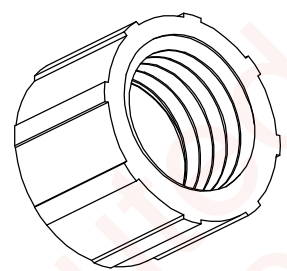
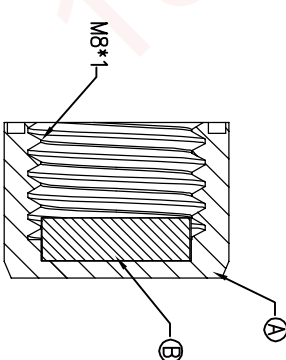
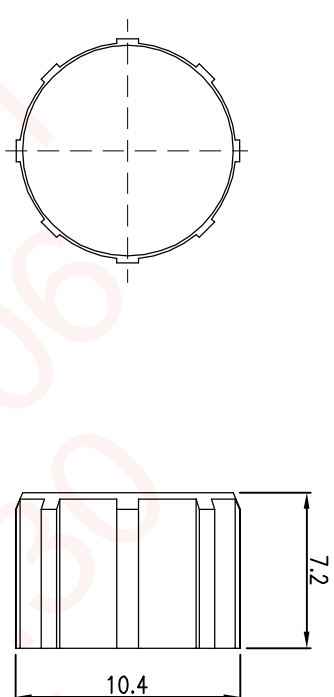
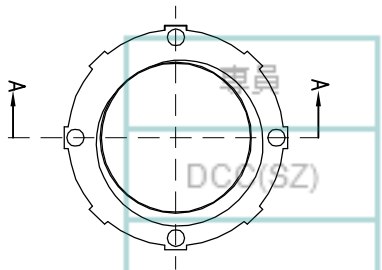


REV.	ECN NO.	OR DESCRIPTION	REVISED	DATE
A	PDR NO:TT20405-2A		Harden	2012.7.18
B	ECN NO:S160104-C		Vicky	2015.01.04



Section A-A

B	GASKET	1	SILICONE	BLACK
A	LOCK NUT	1	PA66+30%GF	BLACK
NO	DESCRIPTION	QTY	MATERIAL	PLATING & COLOR
UNLESS OTHERWISE SPECIFIED TOLERANCES				
Singatron Enterprise Co., Ltd. 信營企業股份有限公司				
TITLE: M8 WATERPROOF CAP LOCK TYPE(IP67)				
DWN Vicky				
CHKD Harden				
APVD Steve				

DECIMALS:	ANGLES:	TITLE	PART NO.	UNIT:	SCALE	SHEET:	REVY:
X : ±0.5	X : ±2°	M8 WATERPROOF CAP LOCK TYPE(IP67)	2ME3000-W00007H	mm	4:1	1 OF 1	B
X.X : ±0.3	X.X : ±1°						
X.XX : ±0.2							

CUSTOMER COPY

- NOTES:
1. WATERPROOF RATE: IP67
 2. TO CONFORM TO SINGATRON HAZARDOUS SUBSTANCE FREE SPEC.
 3. GREEN PRODUCT IDENTIFICATION LABEL ON PACKAGING:

SINGATRON
ELECTRONIC (CHINA) CO., LTD.

