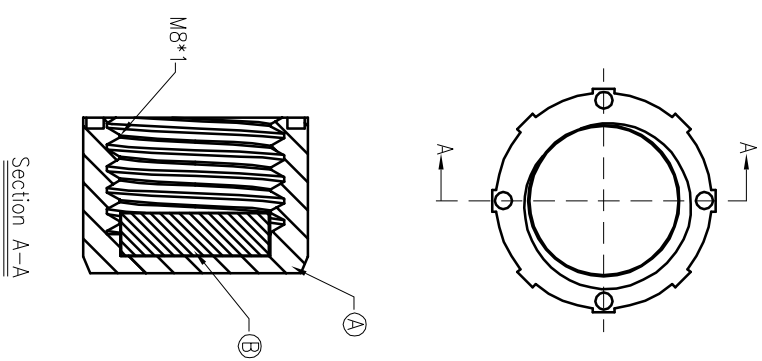
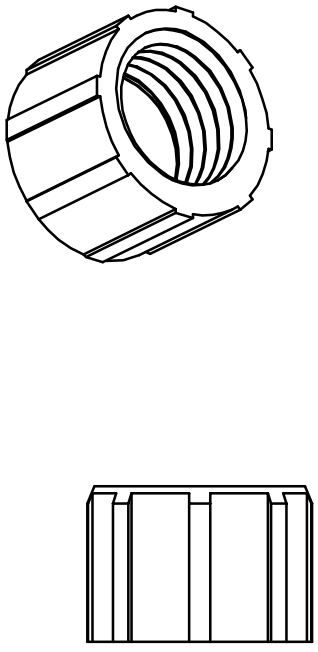
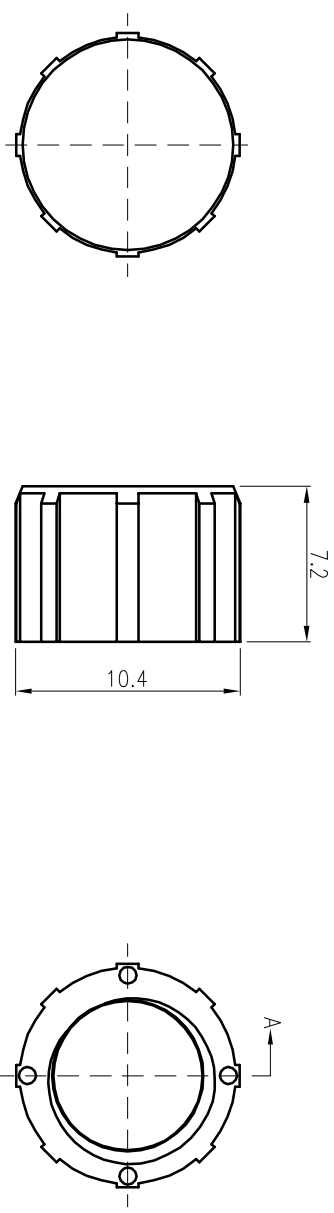




REV.	ECN NO OR DESCRIPTION	REVISED	DATE
A	PDR NO.:T181016-4A	Vckv	2018.10.19



Section A-A

B	GASKET	1	EPDM	BLACK
A	LOCK NUT	1	PA66+30%GF	BLACK
NO	DESCRIPTION	QTY	MATERIAL	PLATING & COLOR
UNLESS OTHERWISE SPECIFIED TOLERANCES				
 Singatron Enterprise Co., Ltd. 信營企業股份有限公司				
TITLE M8 WATERPROOF CAP LOCK TYPE(IP67)				
DMN Vckv PART NO.2ME3000-W0002MH				
CHKD Jf SCALE 4:1 UNIT: mm				
APVD William SIZE: A3 SHEET:1 OF 1 REV: A				

- NOTES:
1. WATERPROOF RATE: IP67
 2. TO CONFORM TO SINGATRON HAZARDOUS SUBSTANCE FREE SPEC.
 3. GREEN PRODUCT IDENTIFICATION LABEL ON PACKAGING: 
 4. TO CONFORM TO ROHS REQUIREMENT AND REACH REGULATION.

