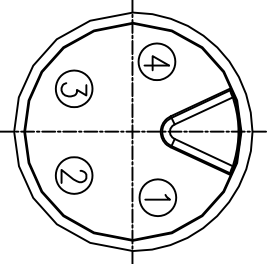
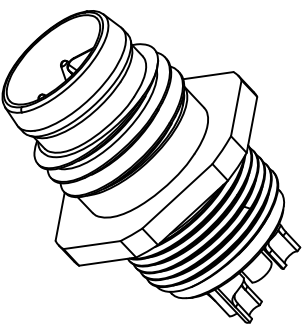


CONN.1

CONN.2

4	BROWN	4
3	BLACK	3
2	YELLOW	2
1	WHITE	1
CONN.1	WIRE CABLE	CONN.2



G	WIRE	4	UL1061 22AWG	See "PIN OUT"
F	CONNECTOR	4	COPPER ALLOY	TINNED
E	HEAR SHRINK TUBE	4	NYLON	WHITE
D	LIQUID GLUE	4	φ1.5 600V 125°	WHITE
C	SHIELD	1	N/A	BLACK
B	MALE PIN	4	BRASS	NICKEL PLATING
A	BODY	1	PA66+GF	6U" GOLD FLASH OVER NICKEL PLATING
NO	DESCRIPTION	1	MATERIAL	BLACK

UNLESS OTHERWISE SPECIFIED TOLERANCES

DECIMALS:	ANGLES:
X :±0.5	X :±2°
X.X :±0.3	X.X :±1°
X.XX :±0.2	

Singatron Enterprise Co., Ltd.
信譽企業股份有限公司

TITLE MB SERIES MALE CONN. SOLDER TYPE

DWN Harlen PART NO. 2ME3008-W04301H

CHKD JF SCALE 2:1 UNIT: mm

APVD Quon SIZE: A3 SHEET: 1 OF 1 REV: A

CUSTOMER COPY

REV.	ECN NO.	OR DESCRIPTION	REVISED	DATE
A	PDR NO: T130319-2A		HARLEN	2013.11.28