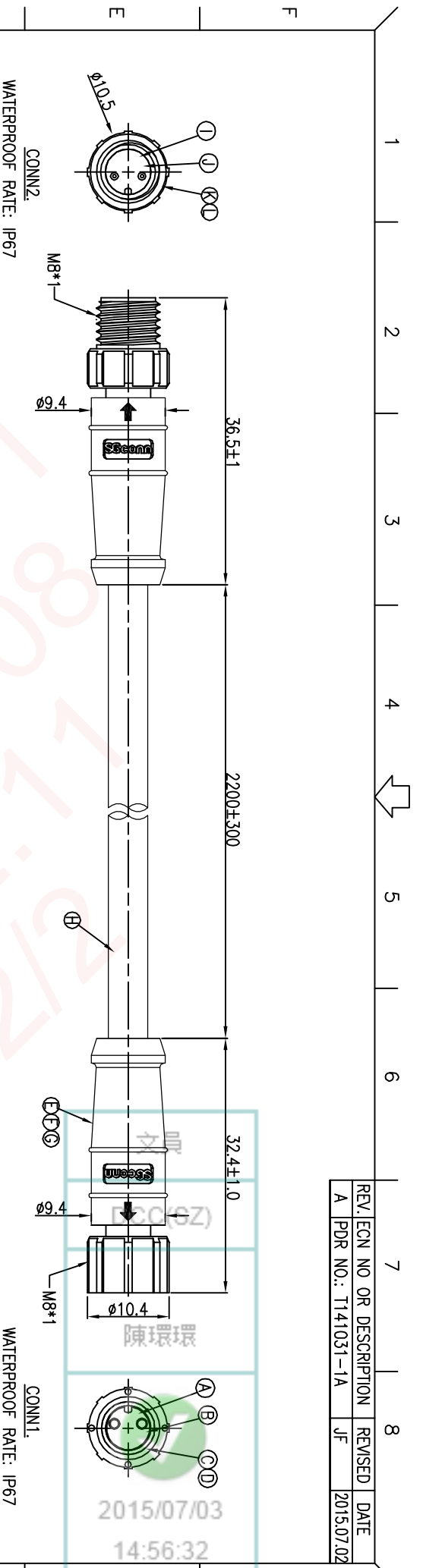
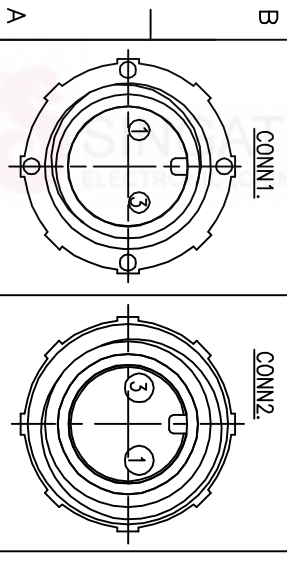


REV/ECN NO OR DESCRIPTION	REVISED	DATE
A PDR NO.: T141031-1A	JF	2015.07.02



3	RED	3
1	BLACK	1
CONN1. WIRE COLOR		CONN2.
PIN OUT		



PIN ASSIGNMENTS  
FRONT VIEW

- NOTES:
1. WATERPROOF RATE: IP67  
IP67: IMMersed IN 1M WATER FOR 30 MINUTES
  2. ELECTRICAL CHARACTERISTICS  
TEMPERATURE RANGE: -20°C TO +80°C  
RATING: 60V AC/DC 5A
  3. SPECIFICATIONS:SEE "M8 SERIES SPECIFICATIONS".
  4. TO CONFORM TO SINGATRON HAZARDOUS SUBSTANCE FREE SPEC.
  5. GREEN PRODUCT IDENTIFICATION LABEL ON PACKAGING:

L	O-RING	1	VITON	BLACK
K	MALE SCREW NUT	1	PA66+GF	BLACK
J	MALE PIN	2	Brass	6u" GOLD PLATING OVER NICKEL PLATING
I	BODY	1	TPU	BLACK
H	CABLE	1	UL2464 20AWG*2C+AL UV OD=Ø5.0	BLACK(PVC JACKET)
G	UV GLUE	1	N/A	NATURAL
F	SHRINK TUBE	4	Ø1.5*7mm	BLACK
E	OVER MOLD	2	TPU	BLACK
D	O-RING	1	VITON	RED
C	FEMALE SCREW NUT	1	NYLON+GF	BLACK
B	FEMALE PIN	2	Phosphor Bronze	6u" GOLD PLATING OVER NICKEL PLATING
A	BODY	1	TPU	BLACK
NO	DESCRIPTION	QTY	MATERIAL	PLATING & COLOR
UNLESS OTHERWISE SPECIFIED TOLERANCES				
Singatron Enterprise Co., Ltd. 信音企業股份有限公司				
TITLE M8 SERIES F CONN + M CONN(PIN)				
DECIMALS:	ANGLES:	DWG JF PART NO.2ME3010-W02315H		
X :±0.5	X :±2°	CHKD Yang	SCALE 2:1	UNIT: mm
XX :±0.3	XX :±1°	APVD Harlen	SIZE: A3	SHEET:1 OF 1
XXX :±0.2		REV: A		
CUSTOMER COPY				