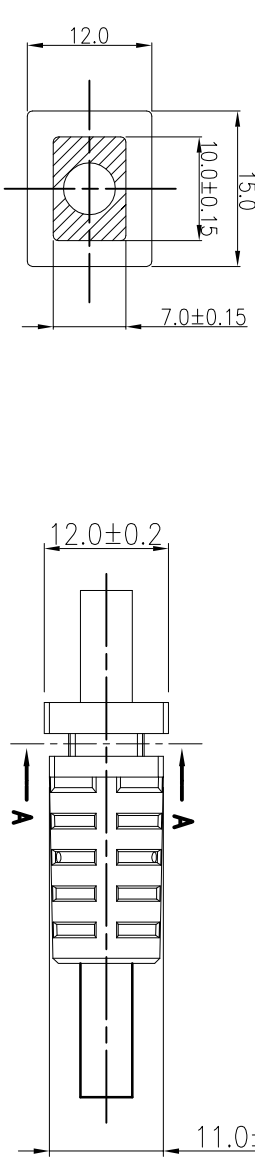
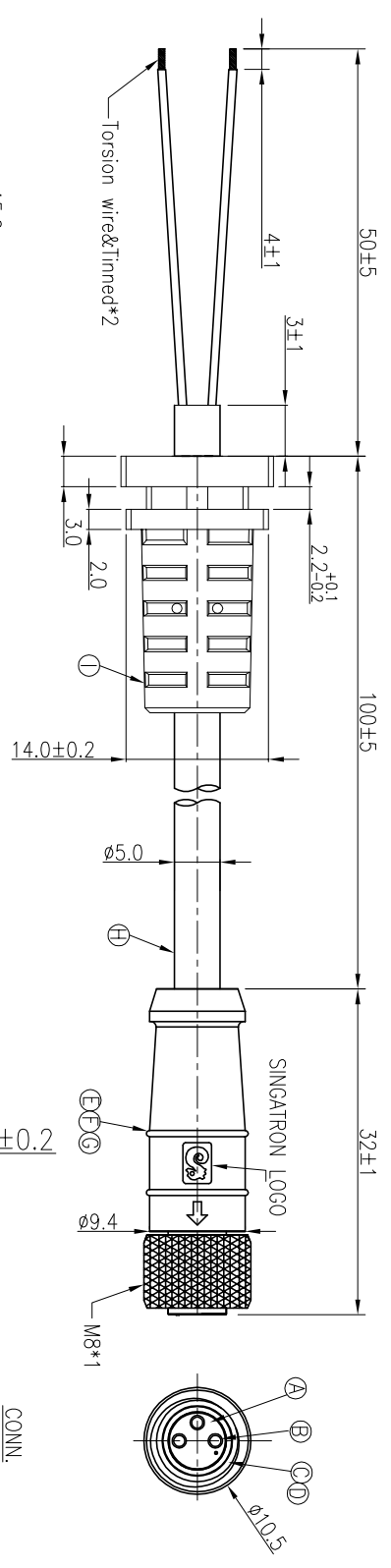


REV.	ECN NO.	OR DESCRIPTION	REVISED	DATE
A	PDR NO.:T190715-2A		JAY	2019.9.24



RED	3
BLACK	1
WIRE COLOR	CONN.
PIN OUT	
CONN.	

- NOTES:
1. WATERPROOF RATE: IP65
  2. ELECTRICAL CHARACTERISTICS  
TEMPERATURE RANGE: -20°C TO +80°C  
RATING: 60V AC/DC 5A
  3. SPECIFICATIONS:SEE "M8 SERIES SPECIFICATIONS".
  4. TO CONFORM TO SINGATRON HAZARDOUS SUBSTANCE FREE SPEC.
  5. GREEN PRODUCT IDENTIFICATION LABEL ON PACKAGING:

NO	DESCRIPTION	QTY	MATERIAL	PLATING & COLOR
A	BODY	1	TPU	BLACK
B	FEMALE PIN	3	Phosphor Bronze	6u" GOLD PLATING OVER NICKEL PLATING
C	SCREW NUT	1	Brass	NICKEL PLATING 100u"
D	O-RING	1	VITON	RED
E	OVER MOLD	1	TPU	BLACK
F	HEAT SHRINK TUBE	2	Ø1.5*7mm	BLACK
G	UV GLUE	1	N/A	WHITE
H	CABLE	1	UL2464 20AWG*2C+AL OD=5.0mm	BLACK(PVC JACKET)
I	SR	1	PVC	BLACK

UNLESS OTHERWISE SPECIFIED TOLERANCES

DECIMALS: ANGLES:

X :±0.5 X :±2°  
X.X :±0.3 X.X :±1°  
X.XX :±0.2

Singatron Enterprise Co., Ltd.  
信晉企業股份有限公司

TITLE: M8 SERIES FEMALE CONN. (3PIN)

DWN: JAY PART NO.:2ME3010-W03355H  
CHKD: Cerry SCALE 2:1 UNIT: mm  
APVD: William SIZE: A3 SHEET: 1 OF 1 REV: A

CUSTOMER COPY