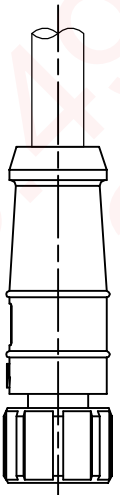
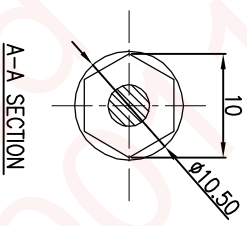
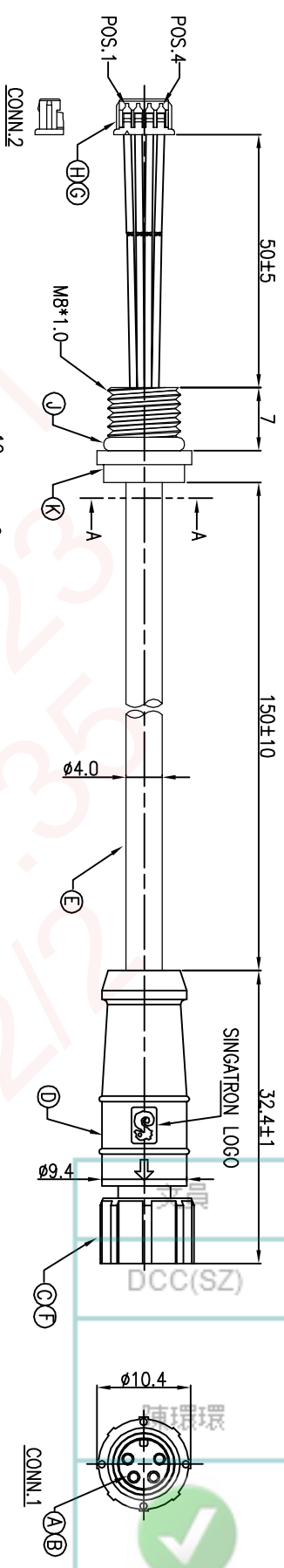
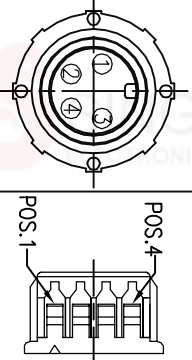


REV.	ECN NO	OR DESCRIPTION	REVISED	DATE
A	PDR NO.:T140123-3A	JF		2015.07.15



4	BROWN	1
3	YELLOW	2
2	ORANGE	3
1	RED	4

CONN.1	WIRE COLOR	CONN.2
	PIN OUT	



- NOTES:
- ELECTRICAL CHARACTERISTICS:
 - 1-1 CURRENT RATING: 5 AMPS(CONN.).
 - 1-2 CONTACT RESISTANCE: 3 Ohm Max.
 - 1-3 INSULATION RESISTANCE: 100 Mohm Min. at 500VDC.
 - 1-4 BREAKDOWN VOLTAGE: 500 VAC PER MINUTE.
 - ENVIRONMENTAL:
 - 2-1 OPERATING TEMPERATURE: -20°C TO +80°C.
 - 2-2 SEALING REQUIREMENTS: IP67.
 3. LIFE TEST: 1,000 CYCLES MIN.
 4. OTHER GENERAL SPEC. TO REFER "MB SENSOR CONNECTOR SERIES SPEC.".
 5. FOR TECHNICAL DATA REFER TO YOUR LOCAL SINGATRON ELECTRONICS SALES OFFICE.
 6. ALL DIMENSIONS ARE NOMINAL FOR REFERENCE ONLY UNLESS OTHERWISE STATED.
 7. TO CONFORM TO SINGATRON HAZARDOUS SUBSTANCE FREE SPEC.
 8. GREEN PRODUCT IDENTIFICATION LABEL ON PACKAGING-[See Page 1](#).

K	SR	1	ABS	BLACK
J	O-RING2	1	VITON	BLACK
H	TERMINAL	4	Phosphor Bronze	TIN-PLATED
G	HOUSING	1	NYLON 66 UL 94V-0	WHITE
F	O-RING1	1	VITON	RED
E	CABLE	1	UL2464 28AWG*4C+AL (UV)	BLACK(PVC JACKET)
D	OVER MOLD	1	TPU	BLACK
C	NUT	1	NYLON+GF	BLACK
B	FEMALE PIN	4	Phosphor Bronze	6u" GOLD PLATING OVER NICKEL PLATING
A	BODY	1	TPU	BLACK

UNLESS OTHERWISE SPECIFIED TOLERANCES

DECIMALS:	ANGLES:
X :±0.5	X :±2
X.X :±0.3	X.X :±1
X.XX :±0.2	

Singatron Enterprise Co., Ltd.
 信登企業股份有限公司
 MB SERIES FEMALE CONN. (4PIN)
PART NO.2MB3010-W04311H
 SCALE 2:1 UNIT: mm
 SIZE: A3 SHEET: 1 OF 1 REV: A
CUSTOMER COPY