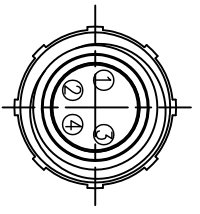
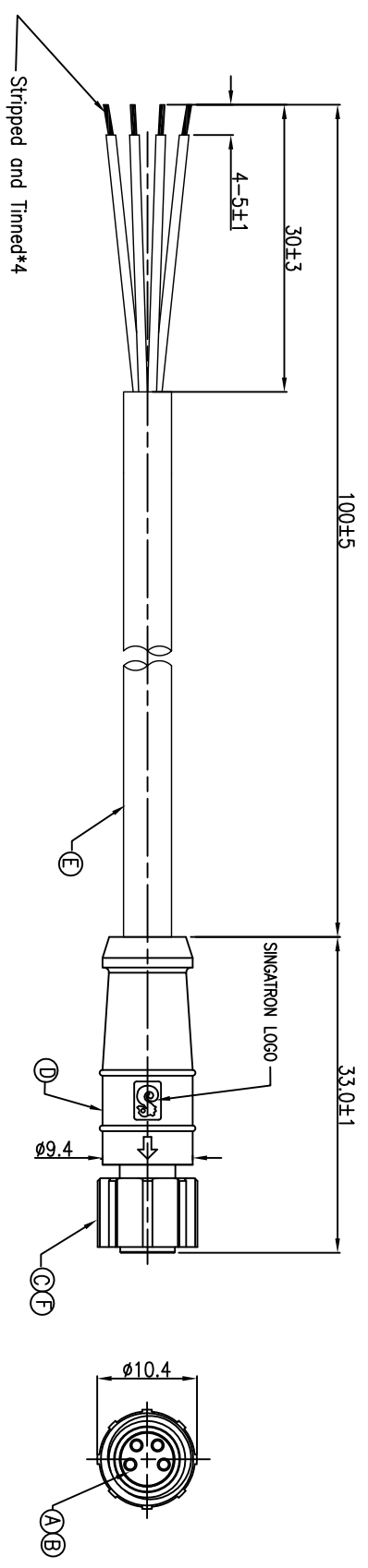


| REV. | ECN NO. | OR DESCRIPTION | REVISED | DATE |
|------|----------|----------------|---------|------------|
| A | PDR NO.: | T140728-8A | YF | 2014.07.30 |
| B | ECN NO.: | S141139 | Wgky | 2014.11.21 |

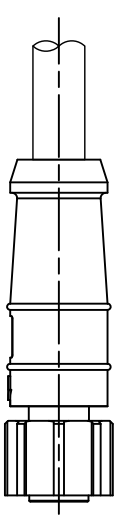


| WIRE COLOR | CONN. |
|------------|-------|
| BLUE | 4 |
| GREEN | 3 |
| BLACK | 2 |
| RED | 1 |

PIN ASSIGNMENTS
FRONT VIEW

NOTES:

1. WATERPROOF RATE: IP67
IP67: IMMERSED IN 1M WATER FOR 30 MINUTES
2. ELECTRICAL CHARACTERISTICS
TEMPERATURE RANGE: -20°C TO +80°C
RATING: 60V AC/DC 5A
DIELECTRIC WITHSTANDING VOLTAGE: 500V AC FOR ONE MINUTE
3. SPECIFICATIONS: SEE "M8 SERIES SPECIFICATIONS".
4. TO CONFORM TO SINGATRON HAZARDOUS SUBSTANCE FREE SPEC.
5. GREEN PRODUCT IDENTIFICATION LABEL ON PACKAGING: Gr. Pass



| F | O-RING | 1 | VITON | RED |
|---|------------|---|---------------------------------------|---|
| E | CABLE | 1 | UL2464 22AWG*4C+AL+D +B OD:6.0(UV) | BLACK(PVC JACKET) |
| D | OVER MOLD | 1 | TPU | BLACK |
| C | NUT | 1 | NYLON+GF | BLACK |
| B | FEMALE PIN | 4 | Phosphor Bronze | 6u" GOLD PLATING OVER NICKEL PLATING |
| A | BODY | 1 | TPU | BLACK |

UNLESS OTHERWISE SPECIFIED TOLERANCES

DECIMALS: ANGLES:

X :±0.5 X :±2
X.X :±0.3 X.X :±1'
X.XX :±0.2

Singatron Enterprise Co., Ltd.
信譽企業股份有限公司

M8 SERIES FEMALE CONN. (4PIN)

DWN Wgky PART NO. 2ME3010-W04314H
CHKD Harlen SCALE 2:1 UNIT: mm
APVD Steve SIZE: A3 SHEET: 1 OF 1 REV: B

CUSTOMER COPY