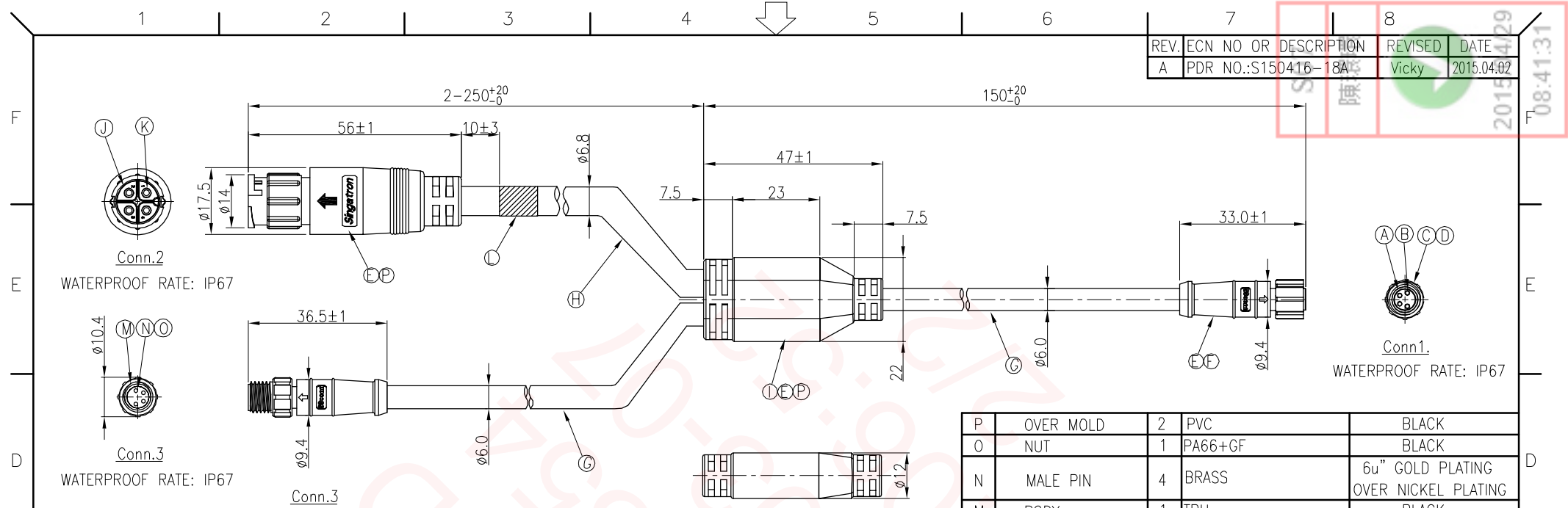


REV.	ECN NO OR DESCRIPTION	REVISED	DATE
A	PDR NO.:S150416-18A	Vicky	2015.04.02

2015/4/29 08:41:31

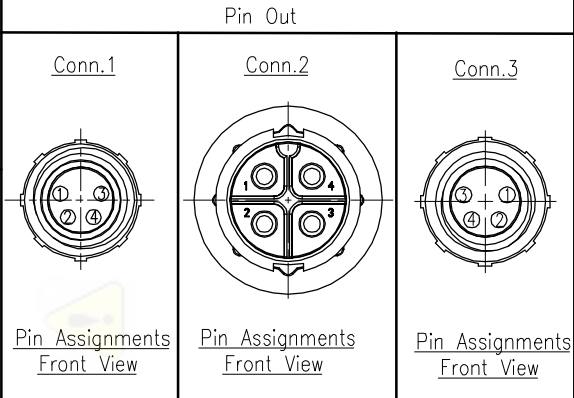


WATERPROOF RATE: IP67

WATERPROOF RATE: IP67

WATERPROOF RATE: IP67

YELLOW	4	BLACK	1
ORANGE	3	WHITE	4
RED	2	GREEN	3
BROWN	1	RED	2
WIRE COLOR	CONN.1&3	WIRE COLOR	CONN.2



- NOTES:
- ELECTRICAL CHARACTERISTICS:
 - 1-1 CURRENT RATING: 5 AMPS
 - 1-2 CONTACT RESISTANCE: 3 Ohm Max.
 - 1-3 INSULATION RESISTANCE: 100 MOhm Min. at 500VDC
 - 1-4 BREAKDOWN VOLTAGE: 500 VAC PER MINUTE
 - ENVIRONMENTAL:
 - 3-1 OPERATING TEMPERATURE: -20° TO +80°
 - 3-2 SEALING REQUIREMENTS: IP67
 - OTHER GENERAL SPEC. TO REFER "M8 SERIES GENERAL SPEC".
 - FOR TECHNICAL DATA REFER TO YOUR LOCAL SINGATRON ELECTRONICS SALES OFFICE
 - ALL DIMENSIONS ARE NOMINAL FOR REFERENCE ONLY UNLESS OTHERWISE STATED
 - TO CONFORM TO SINGATRON HAZARDOUS SUBSTANCE FREE SPEC
 - GREEN PRODUCT IDENTIFICATION LABEL ON PACKAGING SEAL **G.P. PASS**

P	OVER MOLD	2	PVC	BLACK
O	NUT	1	PA66+GF	BLACK
N	MALE PIN	4	BRASS	6u" GOLD PLATING OVER NICKEL PLATING
M	BODY	1	TPU	BLACK
L	HEAT SHRINK TUBE	1	ø8.0*10mm	RED
K	MALE PIN	4	BRASS	1~3u" GOLD FLASH OVER NICKEL PLATING
J	MALE BODY	1	PA66+GF	BLACK
I	HEAT SHRINK TUBE	4	ø3.0*20mm	BLACK
H	CABLE 2	2	UL2464 16AWG*4C+T UV PVC JACKET	BLACK(PVC JACKET)
G	CABLE 1	1	PVC UL2464 24#*4C +AL(UV),OD=6.0	BLACK(PVC JACKET)
F	OVER MOLD	2	TPU	BLACK
E	INNER MOLD	4	TPU	NATURAL
D	LOCK NUT	1	NYLON66+33%GF	BLACK
C	O-RING	1	VITON 70°	RED
B	FEMALE PIN	4	Phosphor Bronze C5441	6u" GOLD PLATING OVER NICKEL PLATING
A	FEMALE BODY	1	TPU	BLACK
NO	DESCRIPTION	QTY	MATERIAL	PLATING & COLOR

UNLESS OTHERWISE SPECIFIED TOLERANCES

Singatron Enterprise Co., Ltd.
信音企業股份有限公司

TITLE: M8 SERIES FEMALE CONN. (4PIN) +M8 SERIES MALE CONN. 4PIN+ CIRCULAR STANDARD SIZE FEMALE CONN. (4PIN)

DWN: Vicky PART NO.2ME3010-W04320H

CHKD: Harlen SCALE 1:1 UNIT: mm

APVD: Steve SIZE: A3 SHEET: 1 OF 1 REV: A

CUSTOMER COPY