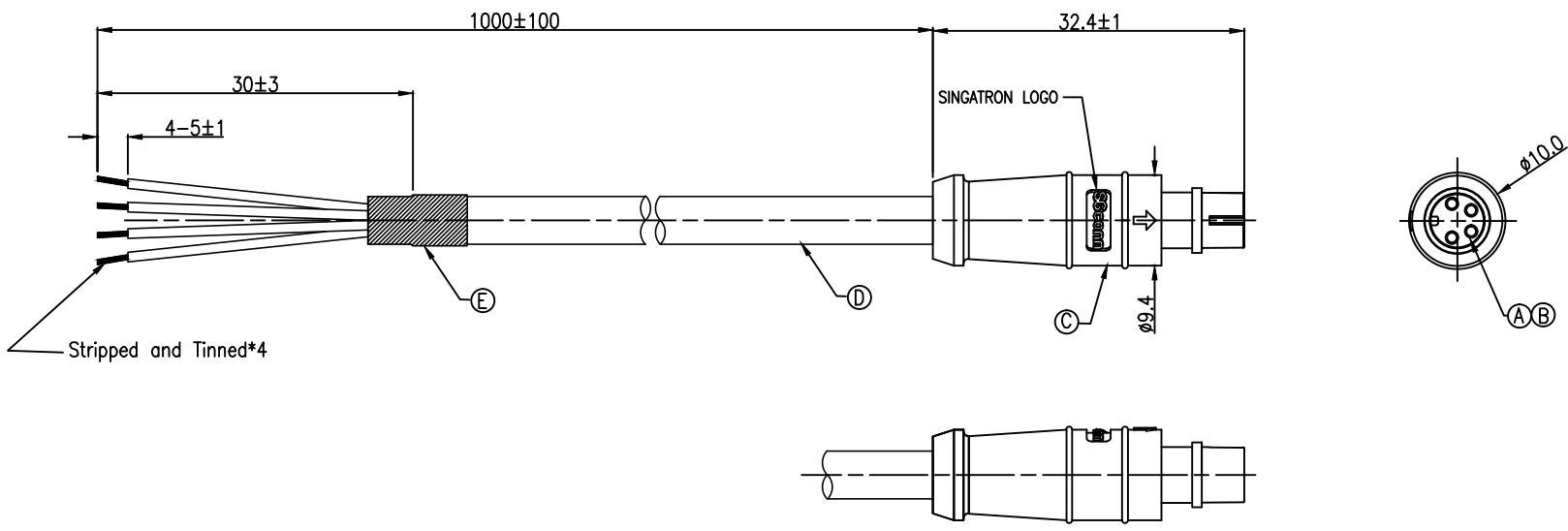
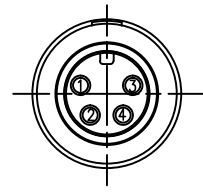


REV.	ECN NO OR DESCRIPTION	REVISED	DATE
A	PDR NO:T190910-4A	JTT	2019.11.06



BLUE	4
GREEN	3
BLACK	2
RED	1
WIRE COLOR	CONN.



PIN ASSIGNMENTS
FRONT VIEW

- NOTES:
- ELECTRICAL CHARACTERISTICS
TEMPERATURE RANGE: -20°C TO +80°C
RATING: 60V AC/DC 5A
DIELECTRIC WITHSTANDING VOLTAGE: 500V AC FOR ONE MINUTE
 - SPECIFICATIONS:SEE "M8 SERIES SPECIFICATIONS".
 - TO CONFORM TO SINGATRON HAZARDOUS SUBSTANCE FREE SPEC.
 - GREEN PRODUCT IDENTIFICATION LABEL ON PACKAGING: **G.P. PASS**

E	HEAT SHRINK TUBE	1	Ø6.0 125' 300V L:15	BLACK
D	CABLE	1	UL2464 22AWG*4C+AL+D +B OD:6.0(UV)	BLACK(PVC JACKET)
C	OVER MOLD	1	TPU	BLACK
B	FEMALE PIN	4	Phosphor Bronze	6u" GOLD PLATING OVER NICKEL PLATING
A	BODY	1	TPU	BLACK
NO	DESCRIPTION	QTY	MATERIAL	PLATING & COLOR

UNLESS OTHERWISE SPECIFIED TOLERANCES		Singatron Enterprise Co., Ltd. 信音企業股份有限公司		
DECIMALS:	ANGLES:	TITLE	M8 SERIES FEMALE CONN. (4PIN)	
X :±0.5	X :±2°	DWN	JTT	PART NO.2ME3010-W04333H
X.X :±0.3	X.X :±1°	CHKD	Cerry	SCALE 2:1 UNIT: mm
X.XX :±0.2		APVD	William	SIZE: A3 SHEET:1 OF 1 REV: A
CUSTOMER COPY				