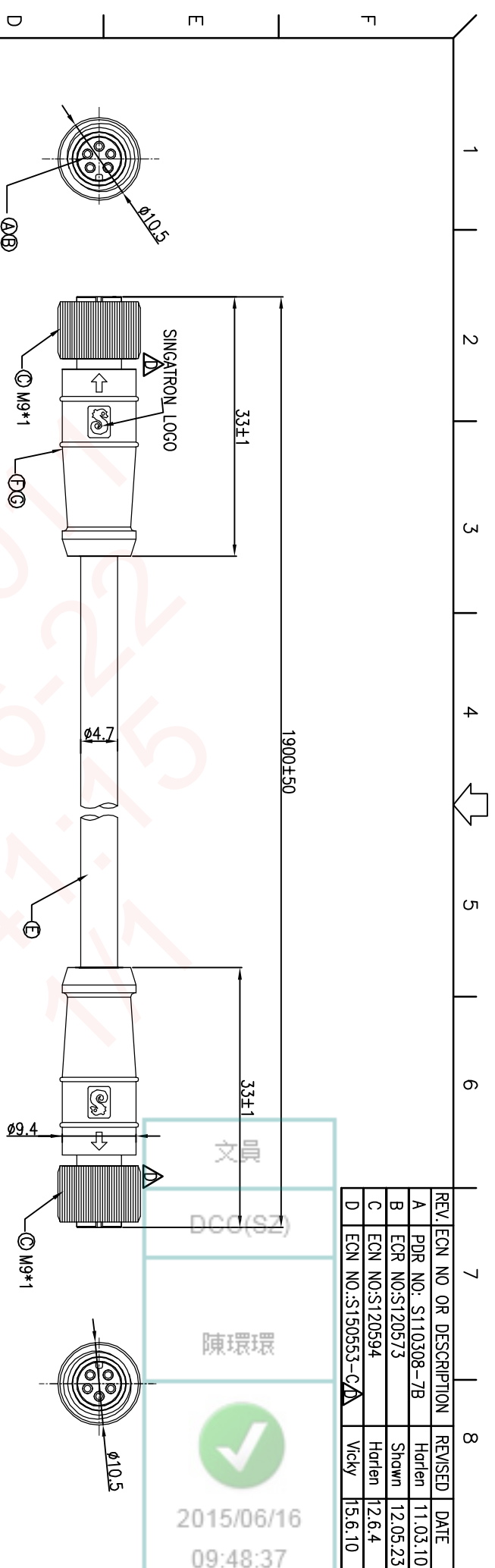
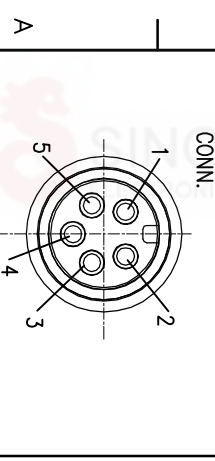


REV	ECN NO OR DESCRIPTION	REVISED	DATE
A	PDR NO: S110308-7B	Horlen	11.03.10
B	ECR NO:S120573	Shawn	12.05.23
C	ECN NO:S120594	Horlen	12.6.4
D	ECN NO:S150553-C/A	Vicky	15.6.10

文鼎  
DCC(SZ)  
陳煥煥  
2015/06/16  
09:48:37



CONN.1	WIRE COLOR	CONN.2
5	YELLOW	5
4	BLUE	4
3	WHITE	3
2	GREEN	2
1	BLACK	1



- NOTES:
1. WATERPROOF RATE: IP65
  2. ELECTRICAL CHARACTERISTICS  
TEMPERATURE RANGE: -20°C TO +80°C  
RATING: 60V AC/DC 2A
  3. SPECIFICATIONS:SEE "M8 SERIES SPECIFICATIONS".
  4. TO CONFORM TO SINGATRON HAZARDOUS SUBSTANCE FREE SPEC.
  5. GREEN PRODUCT IDENTIFICATION LABEL ON PACKAGING:

NO	DESCRIPTION	QTY	MATERIAL	PLATING & COLOR
A	BODY	2	PPE	BLACK
B	FEMALE PIN	10	Phosphor Bronze	6u" GOLD PLATING OVER NICKEL PLATING
C	NUT	2	C3604	NICKEL PLATING 100u"
D	OVER MOLD	2	TPU	BLACK
E	CABLE	1	NONUL 24#*5C+AL+P OD4.7	BLACK(PVC JACKET)
F	O-RING	2	VITON	RED
G	SHRINK TUBE	10	Ø1.5*7mm	BLACK

DECIMALS:	ANGLES:	TITLE	M8 SERIES	MALE CONN. (SPIN)
X :±0.5	X :±2'	DMN	Vicky	PART NO.2M83010-W05205H
XX :±0.3	XX :±1'	CHKD	Horlen	SCALE 2:1 UNIT: mm
XXX :±0.2		APVD	Steve	SIZE: A3 SHEET:1 OF 1 REV: D

Singatron Enterprise Co., Ltd.  
信晉企業股份有限公司

CUSTOMER COPY