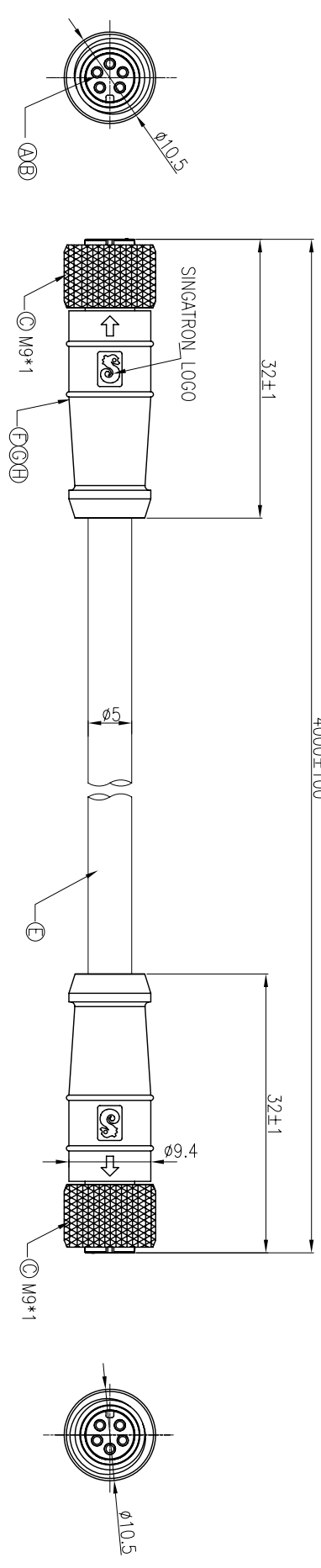
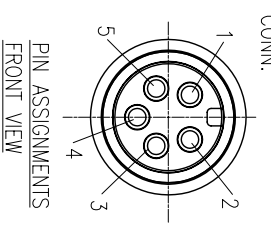


REV.	ECN NO.	OR DESCRIPTION	REVISED	DATE
1	PDR NO.:	S110830-1A	Harlen	11.9.5



C	5	YELLOW	5
	4	BLUE	4
	3	WHITE	3
	2	GREEN	2
	1	BLACK	1
B	CONN.1	WIRE COLOR	CONN.2



- NOTES:
1. WATERPROOF RATE: IP65
 2. ELECTRICAL CHARACTERISTICS TEMPERATURE RANGE: -20°C TO +80°C RATING: 60V AC/DC 2A
 3. SPECIFICATIONS: SEE "M8 SERIES SPECIFICATIONS".
 4. TO CONFORM TO SINGATRON HAZARDOUS SUBSTANCE FREE SPEC.
 5. GREEN PRODUCT IDENTIFICATION LABEL ON PACKAGING: **GR PASS**

1 2 3 4 5 6 7 8

H	UV	0.1g	WHITE
G	SHRINK TUBE	10	Ø1.5*7mm BLACK
F	O-RING	2	VITON RED
E	CABLE	1	UL2464 24AWG*5C+AL OD5.0 (UV) BLACK(PVC JACKET)
D	OVER MOLD	2	TPU BLACK
C	NUT	2	C3604 NICKEL
B	FEMALE PIN	10	Phosphor Bronze 61" GOLD PLATING OVER NICKEL PLATING
A	BODY	2	PPE BLACK
NO	DESCRIPTION	QTY	MATERIAL PLATING & COLOR

UNLESS OTHERWISE SPECIFIED TOLERANCES

DECIMALS: ANGLES:

X :±0.5 X :±2°

X.X :±0.3 X.X :±1°

X.XX :±0.2 X.XX :±0.2

Singatron Enterprise Co., Ltd.
信譽企業股份有限公司

TITLE: M8 SERIES FEMALE CONN. (5PIN)

DWN: Harlen PART NO. 2ME3010-W05211H

CHKD: SCALE 2:1 UNIT: mm

APVD: SIZE: A3 SHEET: 1 OF 1 REV: 1

CUSTOMER COPY