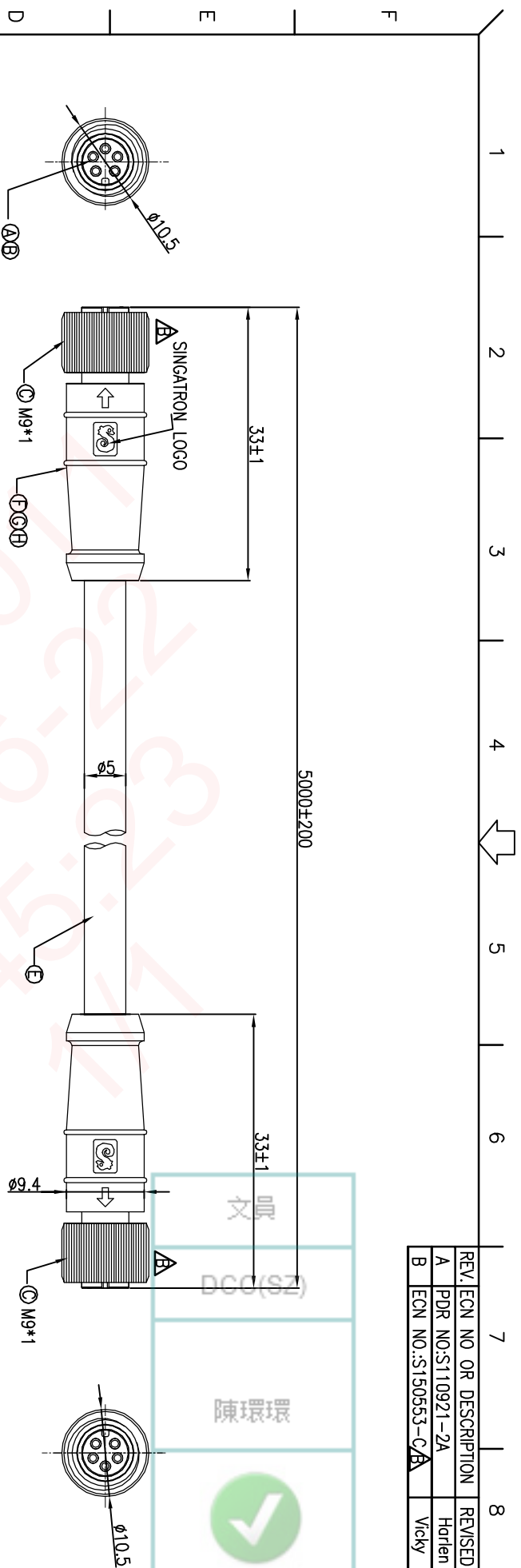
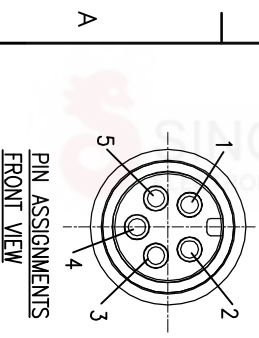


REV.	ECN NO OR DESCRIPTION	REVISED	DATE
A	PDR NO:S110921-2A	Harlen	2011.9.26
B	ECN NO:S150553-C/A	Vicky	2015.6.10



CONN.1	WIRE COLOR	CONN.2
5	YELLOW	5
4	BLUE	4
3	WHITE	3
2	GREEN	2
1	BLACK	1



- NOTES:
1. WATERPROOF RATE: IP65
 2. ELECTRICAL CHARACTERISTICS
TEMPERATURE RANGE: -20°C TO +80°C
RATING: 60V AC/DC 2A
 3. SPECIFICATIONS:SEE "M8 SERIES SPECIFICATIONS".
 4. TO CONFORM TO SINGATRON HAZARDOUS SUBSTANCE FREE SPEC.
 5. GREEN PRODUCT IDENTIFICATION LABEL ON PACKAGING:

NO	DESCRIPTION	QTY	MATERIAL	PLATING & COLOR
A	BODY	2	PPE	BLACK
B	FEMALE PIN	10	Phosphor Bronze	6μ" GOLD PLATING OVER NICKEL PLATING
C	NUT	2	C3604	NICKEL PLATING
D	OVER MOLD	2	TPU	BLACK
E	CABLE	1	UL2464 24AWG*5C+AL OD5.0	BLACK(PVC JACKET)
F	O-RING	2	VITON	RED
G	SHRINK TUBE	10	φ1.5*7mm	BLACK

UNLESS OTHERWISE SPECIFIED TOLERANCES

DECIMALS:	ANGLES:	TITLE	M8 SERIES	MALE CONN. (SPIN)
X :±0.5	X :±2°	DMN	Vicky	PART NO.2M83010-W05212H
XX :±0.3	XX :±1°	CHKD	Harlen	SCALE 2:1 UNIT: mm
X.XX :±0.2		APVD	Stewe	SIZE: A3 SHEET:1 OF 1 REV: B

Singatron Enterprise Co., Ltd.
信譽企業股份有限公司
CUSTOMER COPY