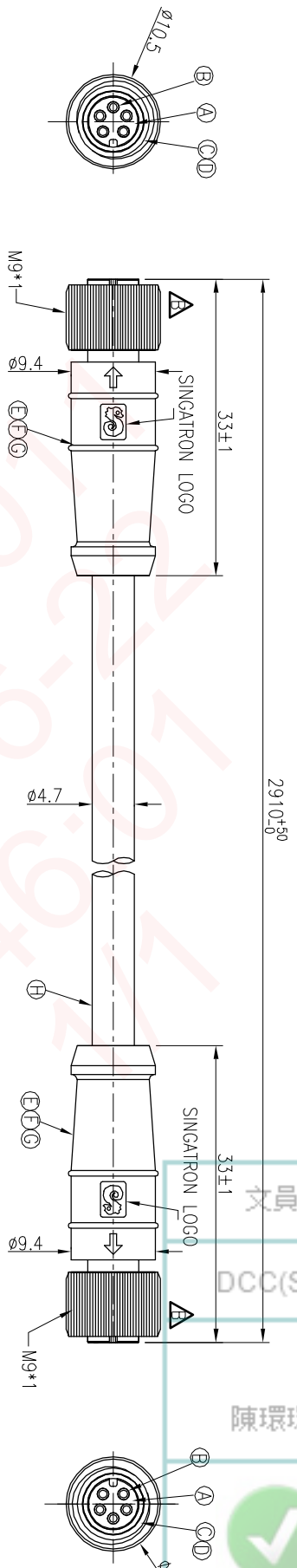
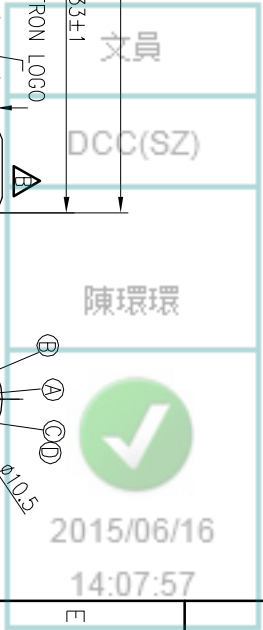
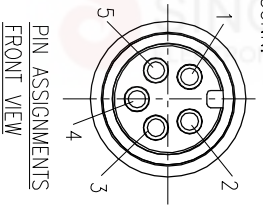


REV.	ECN NO OR DESCRIPTION	REVISED	DATE
A	PDR NO.:S120723-1A	JF	2012.08.21
B	ECN NO.:S150553-C/A	Vcky	2015.06.10



C	5	YELLOW	5
	4	BLUE	4
	3	WHITE	3
	2	GREEN	2
	1	BLACK	1
B	1	BLACK	1
	CONN.1	WIRE COLOR	CONN.2



- NOTES:
1. WATERPROOF RATE: IP65
 2. ELECTRICAL CHARACTERISTICS
TEMPERATURE RANGE: -20°C TO +80°C
RATING: 60V AC/DC 2A
 3. SPECIFICATIONS:SEE "M8 SERIES SPECIFICATIONS".
 4. TO CONFORM TO SINGATRON HAZARDOUS SUBSTANCE FREE SPEC.
 5. GREEN PRODUCT IDENTIFICATION LABEL ON PACKAGING:

H	CABLE	1	NONUL 24#*SC+AL+P	BLACK(PVC JACKET)
G	UV GLUE	1	N/A	WHITE
F	HEAT SHRINK TUBE	10	Ø1.5*7mm	BLACK
E	OVER MOLD	2	TPU	BLACK
D	O-RING	2	VITON	RED
C	SCREW NUT	2	Bross	NICKEL PLATING 100U"
B	FEMALE PIN	10	C5210-EH 0.15T G2	Phosphor Bronze
A	BODY	2	PPE	BLACK
NO	DESCRIPTION	QTY	MATERIAL	PLATING & COLOR
UNLESS OTHERWISE SPECIFIED TOLERANCES				
Singatron Enterprise Co., Ltd. 信亨企業股份有限公司				
TITLE		M8 SERIES FEMALE CONN. (SPIN)		
DMN	Vcky	PART NO.:	2ME3010-W05217H	
CHKD	Harlen	SCALE	2:1	UNIT: mm
APVD	Steve	SIZE:	A3	SHEET:1 OF 1
REV: B				
CUSTOMER COPY				