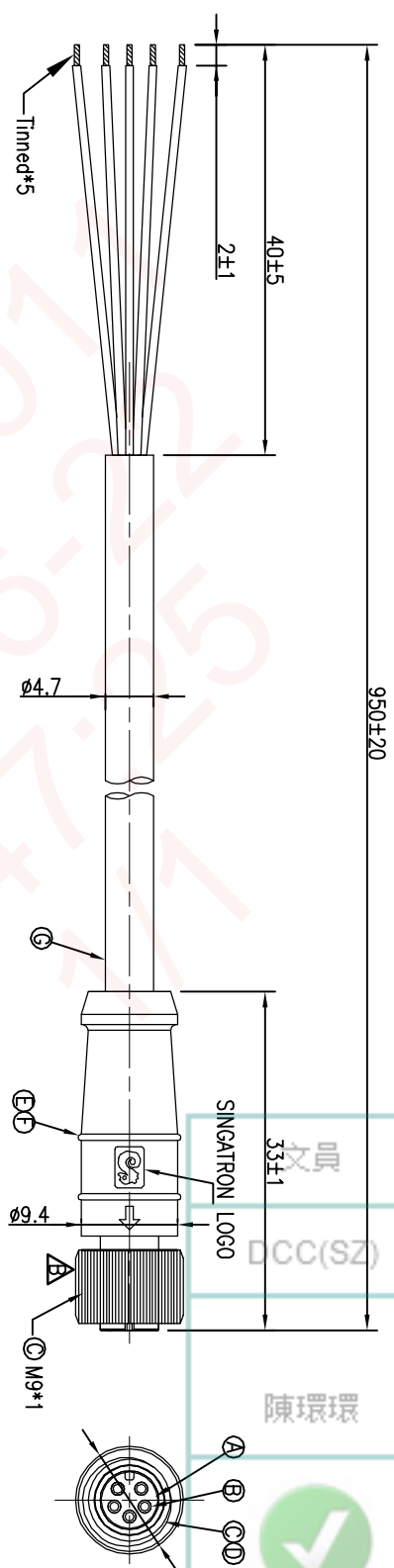
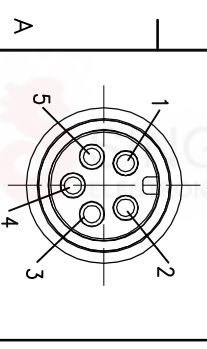


REV	ECN NO OR DESCRIPTION	REVISED	DATE
A	PDR NO:S130313-4A	JF	2013.05.21
B	ECN NO.:S150553-C	BA	2015.05.27



CONN.	WIRE COLOR
5	YELLOW
4	BLUE
3	WHITE
2	GREEN
1	BLACK



- NOTES:
1. WATERPROOF RATE: IP65
 2. ELECTRICAL CHARACTERISTICS
TEMPERATURE RANGE: -20°C TO +80°C
RATING: 60V AC/DC 2A
 3. SPECIFICATIONS: SEE "M8 SERIES SPECIFICATIONS".
 4. TO CONFORM TO SINGATRON HAZARDOUS SUBSTANCE FREE SPEC.
 5. GREEN PRODUCT IDENTIFICATION LABEL ON PACKAGING:

G	CABLE	1	NONUL 24#*5C+AL+P OD4.7	BLACK(PVC JACKET)
F	SHRINK TUBE	5	Ø1.5*7mm	BLACK
E	OVER MOLD	1	TPU	BLACK
D	O-RING	1	VITON	RED
C	NUT	1	C3604	NICKEL PLATING 100u"
B	FEMALE PIN	5	Phosphor Bronze	6u" GOLD PLATING OVER NICKEL PLATING
A	BODY	1	PPE	BLACK
NO	DESCRIPTION	QTY	MATERIAL	PLATING & COLOR
UNLESS OTHERWISE SPECIFIED TOLERANCES				
Singatron Enterprise Co., Ltd. 信音企業股份有限公司				
TITLE		M8 SERIES MALE CONN. (5PIN)		
DMN	Lin	PART NO.2MB3010-W05219H		
CHKD	Harten	SCALE 2:1	UNIT: mm	
APVD	Steve	SIZE: A3	SHEET: 1 OF 1	REV: B

PIN ASSIGNMENTS
FRONT VIEW