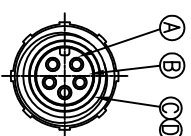
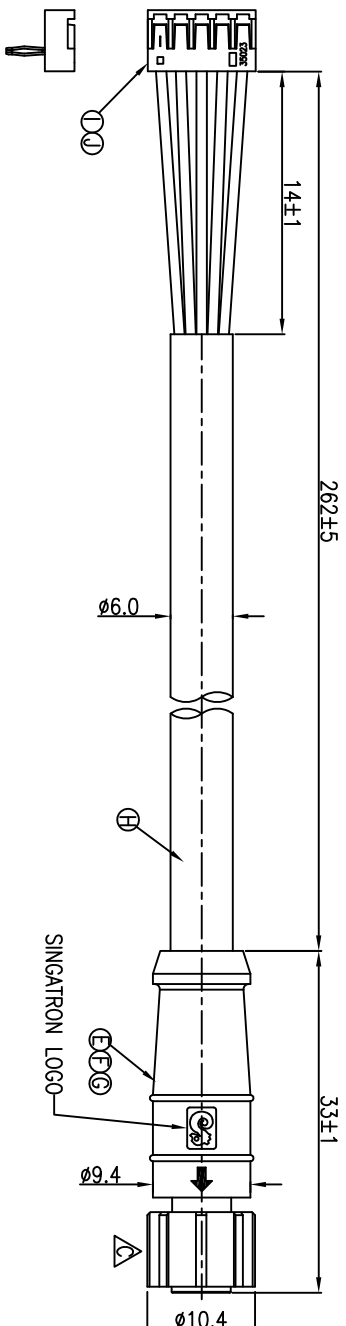


REV.	ECN NO.	OR DESCRIPTION	REVISED	DATE
A	PDR NO.:T130531-4A		Shown	2013.09.10
B	ECN NO.:S130963		Shown	2013.09.28
C	ECN NO.:S150343-C		Susie	2015.03.20

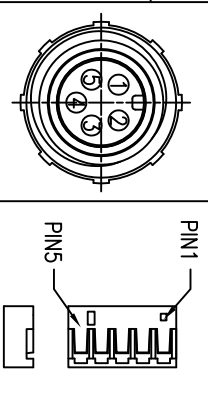


CONN.1
WATERPROOF RATE: IP67

CONN.2
MOLEX P/N:35023-0005

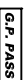
5	PINK	1
4	WHITE	2
3	BLUE	5
2	GREEN	4
1	YELLOW	3

PIN OUT		CONN.2
CONN.1	WIRE COLOR	CONN.2



PIN ASSIGNMENTS
FRONT VIEW

NOTES:

1. WATERPROOF RATE: IP67
IP67: IMMERSED IN 1M WATER FOR 30 MINUTES
2. ELECTRICAL CHARACTERISTICS
TEMPERATURE RANGE: -20°C TO +80°C
RATING: 60V AC/DC 2A
3. SPECIFICATIONS:SEE "M8 SERIES SPECIFICATIONS".
4. TO CONFORM TO SINGATRON HAZARDOUS SUBSTANCE FREE SPEC.
5. GREEN PRODUCT IDENTIFICATION LABEL ON PACKAGING: 



J	TERMINAL	5	BRASS	TIN PLATED
I	HOUSING	1	PAG6 UL 94V-0	IVORY
H	CABLE	1	UL2464 24AWG*5C+AL UV OD6.0	BLACK(PVC90P JACKET)
G	UV GLUE	1	N/A	NATURAL
F	SHRINK TUBE	5	Ø1.5*7mm	BLACK
E	OVER MOLD	1	TPU	BLACK
D	O-RING	1	VITON	RED
C	SCREW NUT	1	NYLON+33%GF	BLACK
B	FEMALE PIN	5	Phosphor Bronze	1u" GOLD PLATING OVER NICKEL PLATING
A	BODY	1	TPU	BLACK

UNLESS OTHERWISE SPECIFIED TOLERANCES

DECIMALS: ANGLES:

X :±0.5 X :±2°
X.X :±0.3 X.X :±1'
X.XX :±0.2

 Singatron Enterprise Co., Ltd.
信晉企業股份有限公司

TITLE: M8 SERIES FEMALE CONN. (SPN)

DWN: Susie PART NO.2MB3010-W05220H

CHKD: Harlen SCALE 2:1 UNIT: mm

APVD: Steve SIZE: A3 SHEET:1 OF 1 REV: C
CUSTOMER COPY