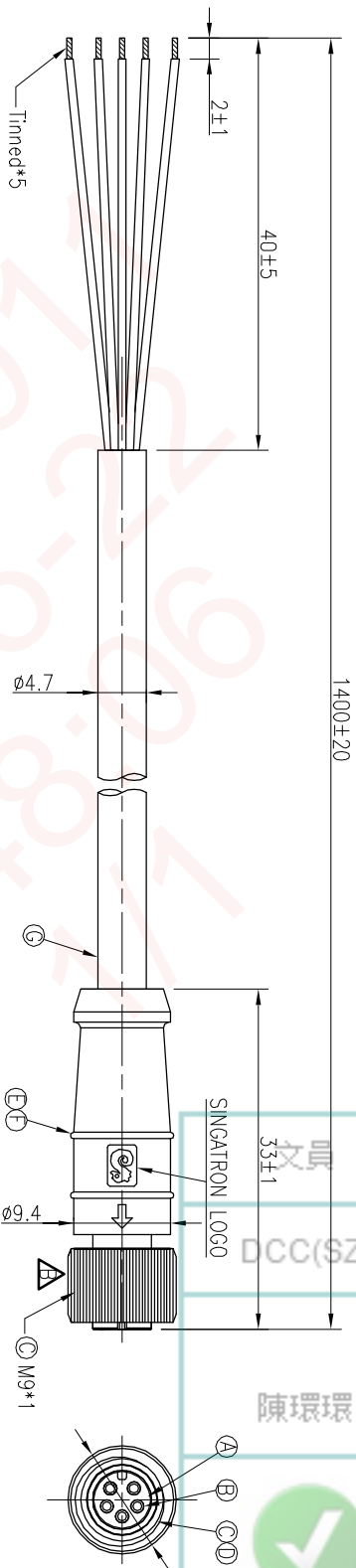
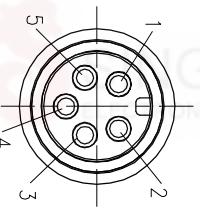


REV.	ECN NO OR DESCRIPTION	REVISED	DATE
A	PDR NO:S130723-8A	Lx-Wu	2014.02.18
B	ECN NO.:S150553-C	Lin	2015.05.27



CONN.

5	YELLOW
4	BLUE
3	WHITE
2	GREEN
1	BLACK
CONN.	WIRE COLOR



PIN ASSIGNMENTS  
FRONT VIEW

- NOTES:
- ELECTRICAL CHARACTERISTICS:
    - 1-1 CURRENT RATING: 2 AMPS.
    - 1-2 CONTACT RESISTANCE: 3 Ohm Max.
    - 1-3 INSULATION RESISTANCE: 100 MOhm MIN. AT 500VDC.
    - 1-4 BREAKDOWN VOLTAGE: 500 VAC PER MINUTE.
  - ENVIRONMENTAL:
    - 2-1 OPERATING TEMPERATURE: -20°C TO +80°C.
    - 2-2 SEALING REQUIREMENTS: IP65.
  - LIFE TEST: 1,000 CYCLES MIN.
  - OTHER GENERAL SPEC. TO REFER "M8 SERIES SPEC.":
  - FOR TECHNICAL DATA REFER TO YOUR LOCAL SINGATRON ELECTRONICS SALES OFFICE.
  - ALL DIMENSIONS ARE NOMINAL FOR REFERENCE ONLY UNLESS OTHERWISE STATED.
  - TO CONFORM TO SINGATRON HAZARDOUS SUBSTANCE FREE SPEC.
  - GREEN PRODUCT IDENTIFICATION LABEL ON PACKAGING: **GREEN PASS**.

G	CABLE	1	NONUL 24#*5C+AL+F OD4.7(PVC JACKET)	BLACK
F	SHRINK TUBE	5	ø1.5*7mm	BLACK
E	OVER MOLD	1	TPU	BLACK
D	O-RING	1	VITON	RED
C	NUT	1	COPPER ALLOY	NICKEL PLATING
B	FEMALE PIN	5	COPPER ALLOY	6u" GOLD PLATING OVER NICKEL PLATING
A	BODY	1	PPE	BLACK
NO	DESCRIPTION	QTY	MATERIAL	PLATING & COLOR

UNLESS OTHERWISE SPECIFIED TOLERANCES

Singatron Enterprise Co., Ltd.  
信譽企業股份有限公司

DECIMALS:	ANGLES:	TITLE	M8 SERIES	MALE CONN.	(5PIN)
X : ±0.5	X : ±2°	DMN	Lin	PART NO.2MF3010-W05221H	
XX : ±0.3	XX : ±1°	CHKD	Harlen	SCALE 2:1	UNIT: mm
X.XX : ±0.2		APVD	Steve	SIZE: A3	SHEET:1 OF 1

CUSTOMER COPY