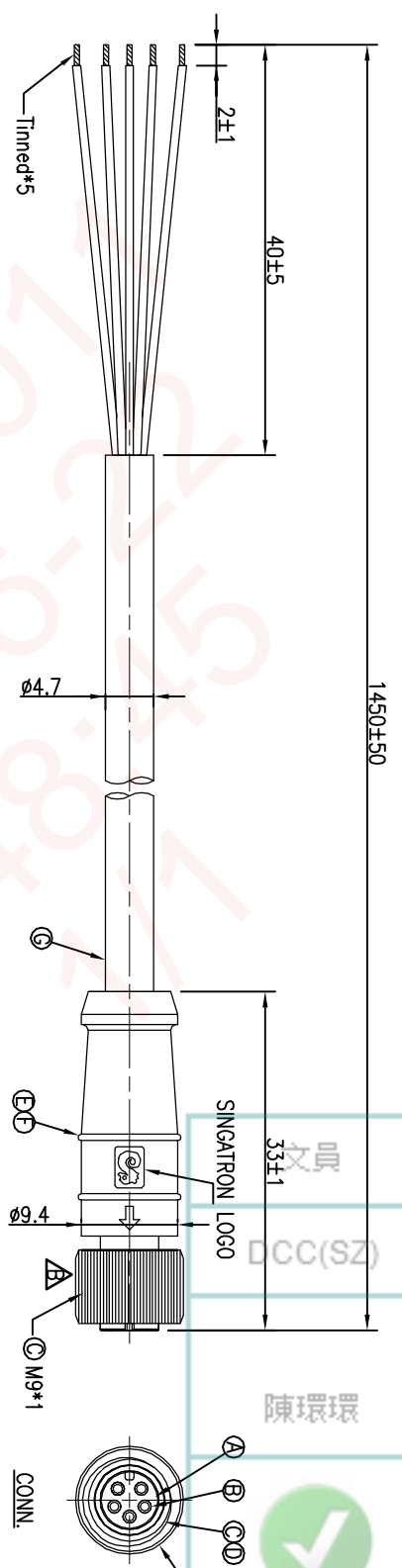
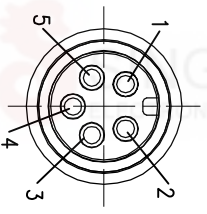


REV	ECN NO OR DESCRIPTION	REVISED	DATE
A	PDR NO.:S130924-12B	Shown	2014.02.11
B	ECN NO.:S150553-C	Lin	2015.05.27



CONN.	WIRE COLOR
5	YELLOW
4	BLUE
3	WHITE
2	GREEN
1	BLACK



- NOTES:
1. WATERPROOF RATE: IP65
  2. ELECTRICAL CHARACTERISTICS  
TEMPERATURE RANGE: -20°C TO +80°C  
RATING: 60V AC/DC 2A
  3. SPECIFICATIONS:SEE "M8 SERIES SPECIFICATIONS".
  4. TO CONFORM TO SINGATRON HAZARDOUS SUBSTANCE FREE SPEC.
  5. GREEN PRODUCT IDENTIFICATION LABEL ON PACKAGING:

G	CABLE	1	NONUL 24#*5C+AL+P OD4.7	BLACK(PVC JACKET)
F	SHRINK TUBE	5	Ø1.5*7mm	BLACK
E	OVER MOLD	1	TPU	BLACK
D	O-RING	1	VITON	RED
C	NUT	1	C3604	NICKEL PLATING 100u"
B	FEMALE PIN	5	Phosphor Bronze	6u" GOLD PLATING OVER NICKEL PLATING
A	BODY	1	PPE	BLACK
NO	DESCRIPTION	QTY	MATERIAL	PLATING & COLOR
UNLESS OTHERWISE SPECIFIED TOLERANCES				
Singatron Enterprise Co., Ltd. 信音企業股份有限公司				
TITLE		M8 SERIES MALE CONN. (5PIN)		
DMN	Lin	PART NO.2MB3010-W05223H		
CHKD	Harlen	SCALE 2:1	UNIT: mm	
APVD	Steve	SIZE: A3	SHEET:1 OF 1	REV: B
CUSTOMER COPY				

DECIMALS:	ANGLES:
X :±0.5	X :±2°
XX :±0.3	XX :±1'
XXX :±0.2	