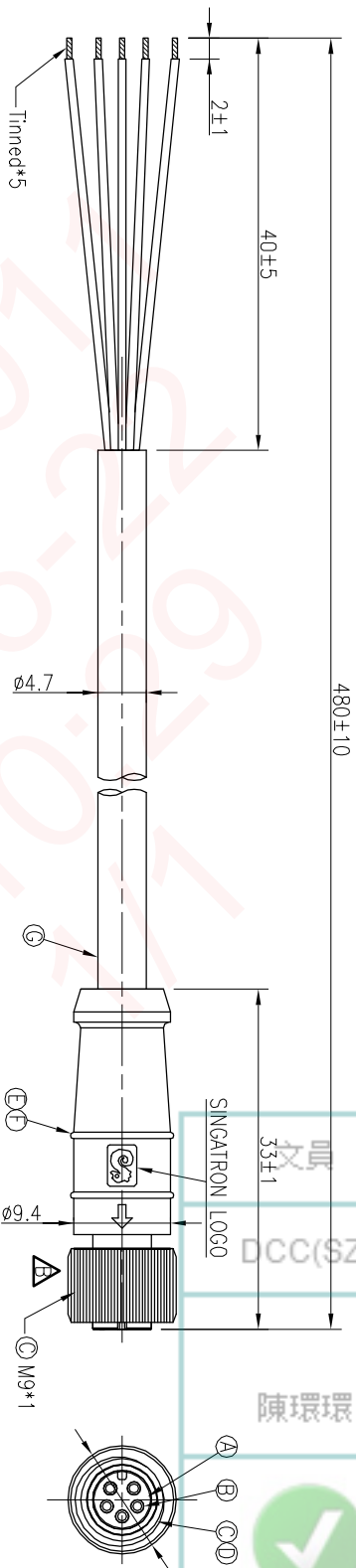
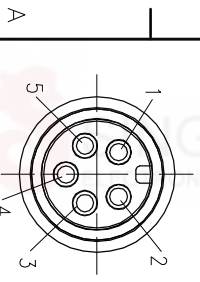


REV.	ECN NO OR DESCRIPTION	REVISED	DATE
A	PDR NO.:S140326-4A	Vicky	2014.04.23
B	ECN NO.:S150553-C	Lin	2015.05.27



CONN.

5	YELLOW
4	BLUE
3	WHITE
2	GREEN
1	BLACK
CONN.	WIRE COLOR



PIN ASSIGNMENTS
FRONT VIEW

- NOTES:
- ELECTRICAL CHARACTERISTICS:
 - 1-1 CURRENT RATING: 2 AMPS.
 - 1-2 CONTACT RESISTANCE: 3 Ohm Max.
 - 1-3 INSULATION RESISTANCE: 100 MOhm MIN. AT 500VDC.
 - 1-4 BREAKDOWN VOLTAGE: 500 VAC PER MINUTE.
 - ENVIRONMENTAL:
 - 2-1 OPERATING TEMPERATURE: -20°C TO +80°C.
 - 2-2 SEALING REQUIREMENTS: IP65.
 - LIFE TEST: 1,000 CYCLES MIN.
 - OTHER GENERAL SPEC. TO REFER "M8 SERIES SPEC.":
 - FOR TECHNICAL DATA REFER TO YOUR LOCAL SINGATRON ELECTRONICS SALES OFFICE.
 - ALL DIMENSIONS ARE NOMINAL FOR REFERENCE ONLY UNLESS OTHERWISE STATED.
 - TO CONFORM TO SINGATRON HAZARDOUS SUBSTANCE FREE SPEC.
 - GREEN PRODUCT IDENTIFICATION LABEL ON PACKAGING: **GREEN PASS**.

G	CABLE	1	NONUL 24#*5C+AL+F OD4.7(PVC JACKET)	BLACK
F	SHRINK TUBE	5	Ø1.5*7mm	BLACK
E	OVER MOLD	1	TPU	BLACK
D	O-RING	1	VITON	RED
C	NUT	1	COPPER ALLOY	NICKEL PLATING
B	FEMALE PIN	5	COPPER ALLOY	6u" GOLD PLATING OVER NICKEL PLATING
A	BODY	1	PPE	BLACK
NO	DESCRIPTION	QTY	MATERIAL	PLATING & COLOR

UNLESS OTHERWISE SPECIFIED TOLERANCES

Singatron Enterprise Co., Ltd.
信譽企業股份有限公司

TITLE: M8 SERIES FEMALE CONN (5PIN)

DMN: Lin PART NO. 2ME3010-W05229H

CHKD: Harden SCALE 2:1 UNIT: mm

APVD: Steve SIZE: A3 SHEET: 1 OF 1 REV: B

CUSTOMER COPY